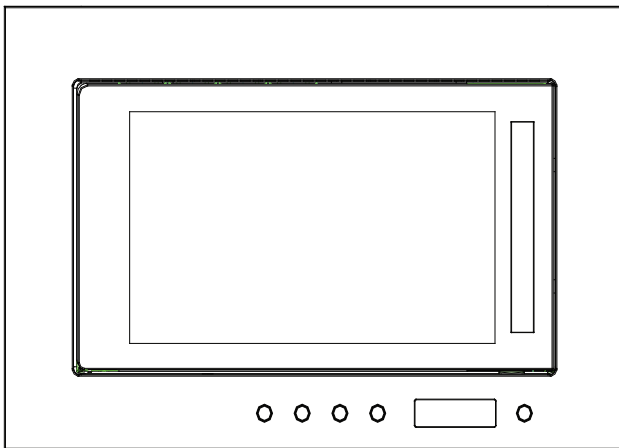


nevir®

20 Litres Full Built-In Stainless Steel
Microwave with Grill

MODEL:NVR-6137 MEDGS



INSTRUCTION MANUAL

Read the Instruction carefully and keep for Future Reference



Important safety instructions

When using electrical appliance basic safety precautions should be followed, including the following:

warning: to reduce the risk of burns, electric shock, fire, injury to persons or exposure to excessive microwave energy:

1. Read all instructions before using the appliance.
2. Use this appliance only for its intended use as described in this manual. Do not use corrosive chemicals or vapors in this appliance. This type of oven is specifically designed to heat, cook or dry food. It is not designed for industrial or laboratory use.
3. Do not operate the oven when empty.
4. Do not operate this appliance if it has a damaged cord or plug, if it is not working properly or if it has been damaged or dropped. If the supply cord is damaged, it must be replaced by the manufacturer or its service agent or a similarly qualified person in order to avoid a hazard.
5. Warning: when the appliance is operated in the combination mode, children should only use the oven under adult supervision due to the temperatures generated.
6. Warning: only allow children to use the oven without supervision when adequate instructions have been given so that the child is able to use the oven in a safe way and understands the hazards of improper use.

7. To reduce the risk of fire in the oven cavity:
 - a. When heating food in plastic or paper container, keep an eye on the oven due to the possibility of ignition.
 - b. Remove wire twist-ties from paper or plastic bags before placing bag in oven.
 - c. If smoke is observed, switch off or unplug the appliance and keep the door closed in order to stifle any flames.
 - d. Do not use the cavity for storage purposes. Do not leave paper products, cooking utensils or food in the cavity when not in use.
8. Warning: liquid or other food must not be heated in sealed containers since they are liable to explode.
9. Microwave heating of beverage can result in delayed eruptive boiling, therefore care has to be taken when handle the container.
10. Do not fry food in the oven. Hot oil can damage oven parts and utensils and even result in skin burns.
11. Eggs in their shell and whole hard-boiled eggs should not be heated in microwave ovens since they may explode even after microwave heating has ended.
12. Pierce foods with heavy skins such as potato, whole squashes, apples and chestnuts before cooking.
13. The contents of feeding bottles and baby jars should be stirred or shaken and the temperature should be checked before serving in order to avoid burns.
14. Cooking utensils may become hot because of heat transferred from the heated food. Potholders may be

- needed to handle the utensil.
15. Utensils should be checked to ensure that they are suitable for use in microwave oven.
 16. Warning: it is hazardous for anyone other than a trained person to carry out any service or repair operation which involves the removal of any cover which gives protection against exposure to microwave energy.
 17. This product with the class I equipment, the definition of class I which protection against electric shock does not rely on basic insulation only but which includes an additional safety precaution, in that conductive accessible parts are connected to the protective earthing conductor in the fixed wiring of the installation in such a way that conductive accessible parts cannot become live in the event of a failure of the basic insulation. For class b equipment is equipment suitable for use in domestic establishments. For domestic purpose.
 18. This appliance is not intended for use by persons (including children) with reduced physical, sensory or mental capabilities, or lack of experience and knowledge, unless they have been given supervision or instruction concerning use of the appliance by a person responsible for their safety.
 19. Children should be supervised to ensure that they do not play with the appliance.
 20. Warning: do not install oven over a range cooktop or other heat-producing appliance. If installed could be

damaged and the warranty would be void .

- 21.The accessible surface may be hot during operation.
- 22.The door or the outer surface may get hot when the appliance is operating.
- 23.The temperature of accessible surfaces may be high when the appliance is operating.
- 24.The appliance shall be placed against a wall.
- 25.Warning: if the door or door seals are damaged, the oven must not be operated until it has been repaired by a competent person
- 26.The instructions shall state that appliances are not intended to be operated by means of an external timer or separate remote-control system.
- 27.The microwave oven is for household use only and not for commercial use.
- 28.Never remove the distance holder in the back or on the sides, as it ensures a minimum distance from the wall for air circulation.
- 29.Please secure the turn table before you move the appliance to avoid damages.
- 30.Caution: it is dangerous to repair or maintain the appliance by no other than a specialist because under these circumstances the cover have to be removed which assures protection against microwave radiation. This applies to changing the power cord or the lighting as well. Send the appliance in these cases to our service central.

31. The microwave oven is intended for defrosting, cooking and steaming of food only.
32. Use gloves if you remove any heated food.
33. Caution! Steam will escape, when opening lids or wrapping foil.
34. If smoke is emitted, switch off or unplug the appliance and keep the door closed in order to stifle.



CAUTION: Hot surface.

This appliance can be used by children aged from 8 years and above and persons with educated physical, sensory or mental capabilities or lack of experience and knowledge if they have been given supervision or instruction concerning use of the appliance in a safe way and understand the hazards involved. Children shall not play with the appliance. Cleaning and user maintenance shall not be made by children unless they are older than 8 and supervised.

Keep the appliance and its cord out of reach of children less than 8 years.

SPECIFICATIONS

Power consumption:	230V~50Hz, 1080W
Output:	700W
Grill Heater:	800W
Operating Frequency:	2,450MHz
Outside Dimensions:	592mm(W) X 313mm(D) X 376mm(H)
Oven Cavity Dimensions:	315mm(W) X 211mm(D) X 296mm(H)
Oven Capacity:	20litres
Uncrated Weight:	Approx. 12.5kg

BEFORE YOU CALL FOR SERVICE

1. If the oven will not perform at all, the display does not appear or the display disappears:
 - a) Check to ensure that the oven is plugged in securely. If it is not, remove the plug from the outlet, wait 10 seconds and plug it in again securely.
 - b) Check the premises for a blown circuit fuse or a tripped main circuit breaker. If these seem to be operating properly, test the outlet with another appliance.
2. If the microwave power does not function:
 - a) Check to see whether the timer is set.
 - b) Check to make sure that the door is securely closed to engage the safety interlocks. Otherwise, the microwave energy will not flow into the oven.

IF NONE OF THE ABOVE RECTIFIES THE SITUATION, THEN CONTACT THE AUTHORIZED SERVICE AGENT.

Note:

The appliance is for household use for heating food and beverages using electromagnetic energy and for indoor use only.

RADIO INTERFERENCE

Microwave oven may cause interference to your radio, TV, or similar equipment. When interference occurs, it may be eliminated or reduced by the following procedures.

- a. Clean the door and sealing surface of the oven.
- b. Place the radio, TV, etc. as far away from your microwave oven as possible.
- c. Use a properly installed antenna for your radio, TV, etc. to get a strong signal reception.

INSTALLATION

1. Make sure all the packing materials are removed from the inside of the door.
2. Inspect the oven after unpacking for any visual damage such as:
 - Misaligned Door
 - Damaged Door
 - Dents or Holes in Door Window and Screen
 - Dents in CavityIf any of the above are visible, DO NOT use the oven.
3. This Microwave Oven weighs 12.5 kg and must be placed on a horizontal surface strong enough to support this weight.
4. The oven must be placed away from high temperature and steam.
5. DO NOT place anything on top of the oven.
6. DO NOT remove the turn -table drive shaft.
7. As with any appliance, close supervision is necessary when used by children.

WARNING-THIS APPLIANCE MUST BE EARTHED.

1. The plug socket should be within easy reach of the power cord
2. This oven requires 1.3 KVA for its input. consultation with service engineer is suggested when installing the oven.

CAUTION:This oven is protected internally by ac 250V,8 Amp Fuse.

IMPORTANT

The wires in this mains lead are coloured in accordance with the following code:

Green-and-yellow	: Earth
Blue	: Neutral
Brown	: Live

As the colours of the wires in the mains leads of the appliance may not correspond with the coloured markings identifying the terminals in your plug, proceed as follows:

The wire which is coloured green-and-yellow must be connected to the terminal in the plug which is marked with the letter E or by the earth symbol \perp coloured green of green-and-yellow.

The wire which is coloured blue must be connected to the terminal which is marked with the letter N or coloured black.

The wire which is coloured brown must be connected to the terminal which is marked with the letter L or coloured red.

IMPORTANT SAFETY INSTRUCTIONS

- WARNING: When the appliance is operated in the combination mode, children should only use the oven under adult supervision due to the temperatures generated; (Only for the model with grill function)
- WARNING: If the door or door seals are damaged, the oven must not be operated until it has been repaired by a competent person;
- WARNING: It is hazardous for anyone other than a competent person to carry out any service or repair operation that involves the removal of a cover which gives protection against exposure to microwave energy;
- WARNING: liquids and other foods must not be heated in sealed containers since they are liable to explode.
- WARNING: Only allow children to use the oven without supervision when adequate instructions have been given so that the child is able to use the oven in a safe way and understands the hazards of improper use;
- The oven must have sufficient air flow.Keep 10 cm space at back;15 cm at both sides and 30cms from top of the oven.Don't remove oven's feet, do not block air events of the oven.
- Only use utensils that are suitable for use in microwave ovens.
- When heating food in plastic or paper containers, keep an eye on the oven due to the possibility of ignition;
- If smoke is observed, switch off or unplug the appliance and keep the door closed in order to stifle any flames;
- Microwave heating of beverages can result in delayed eruptive boiling, therefore care must be taken when handling the container;
- The contents of feeding bottles and baby food jars shall be stirred or shaken and the temperature checked before consumption, in order to avoid burns;
- Eggs in their shell and whole hard-boiled eggs should not be heated in microwave ovens since they may explode, even after microwave heating has ended;
- When cleaning surfaces of door, door seal, cavity of the oven, use only mild, nonabrasive soaps, or detergents applied with a sponge or soft cloth.
- The oven should be cleaned regularly and any food deposits removed;
- Failure to maintain the oven in a clean condition could lead to deterioration of the surface that could adversely affect the life of the appliance and possibly result in a hazardous situation;
- If the supply cord is damaged, it must be replaced by the manufacturer, its service agent or similarly qualified persons in order to avoid a hazard.

SAFETY INSTRUCTIONS FOR GENERAL USE

Listed below are, as with all appliances, certain rules to follow and safeguards to assure top performance from this oven:

1. Always have the glass tray, roller arms, coupling and roller track in place when operating the oven.
2. Do not use the oven for any reason other than food preparation, such as for drying clothes, paper, or any other nonfood items, or for sterilizing purposes.
3. Do not operate the oven when empty. This could damage the oven.
4. Do not use the oven cavity for any type of storage,such a papers, cookbooks, etc.
- 5.Do not cook any food surrounded by a membrane,such as egg yolks,potatoes,chicken livers,etc without first being pierced several times with a fork.

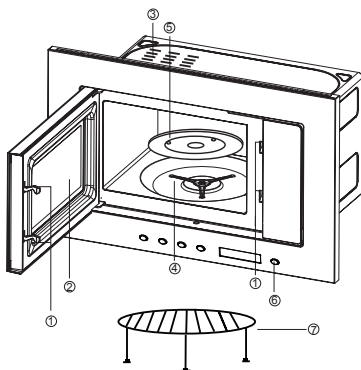


6. Do not insert any object into the openings on the outer case.
7. Do not at any time remove parts from the oven such as the feet, coupling, screws, etc.
8. Do not cook food directly on the glass tray. Place food in/on proper cooking utensil before placing in the oven.
9. **IMPORTANT-COOKWARE NOT TO USE IN YOUR MICROWAVE OVEN**
Do not use metal pans or dishes with metal handles.
Do not use anything with metal trim.
Do not use paper covered wire twist-ties on plastic bags.
Do not use melamine dishes as they contain a material which will absorb microwave energy. This may cause the dishes to crack or char and will slow down the cooking speed.
Do not use Centura Tableware. The glaze is not suitable for microwave use. Corelle Livingware closed handle cups should not be used.
Do not cook in a container with a restricted opening, such as a pop bottle or salad oil bottle, as they may explode if heated in a microwave oven.
Do not use conventional meat or candy thermometers. There are the thermometers available specifically for microwave cooking. These may be used.
10. Microwave utensils should be used only in accordance with manufacturer's instructions.
11. Do not attempt to deep-fry foods in this oven.
12. Please remember that a microwave oven only heats the liquid in a container rather than the container itself. Therefore, even though the lid of a container is not hot to the touch when

removed from the oven, please remember that the food/liquid inside will be releasing the same amount of steam and/or spitting when the lid is removed as in conventional cooking.

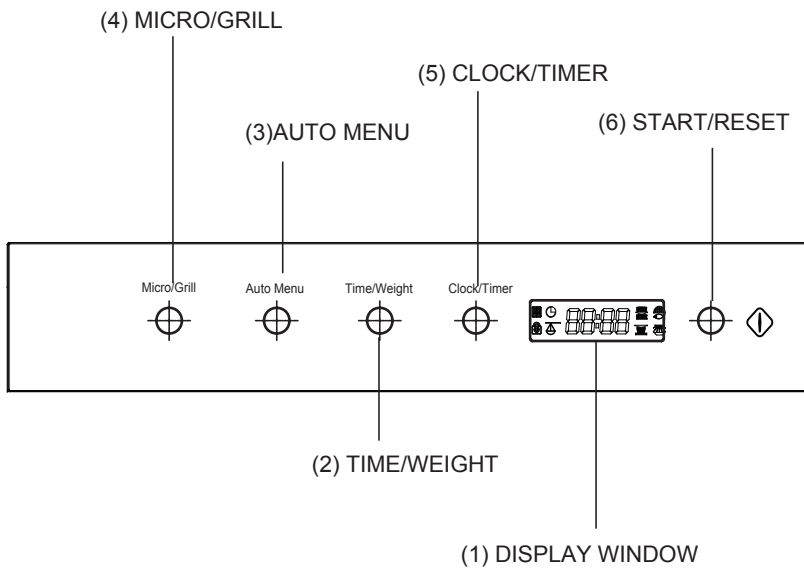
13. Always test the temperature of cooked food yourself especially if you are heating or cooking food/liquid for babies. It is advisable never to consume food/liquid straight from the oven but allow it to stand for a few minutes and stir food/liquid to distribute heat evenly.
14. Food containing a mixture of fat and water, e.g. stock, should stand for 30-60 seconds in the oven after it has been turned off. This is to allow the mixture to settle and to prevent bubbling when a spoon is placed in the food/liquid or a stock cube is added.
15. When preparing/cooking food/liquid and remember that there are certain foods, e.g. Christmas puddings, jam and mincemeat, which heat up very quickly. When heating or cooking foods with a high fat or sugar content do not use plastic containers.
16. Cooking utensil may become hot because of heat transferred from the heated food. This is especially true if plastic wrap has been covering the top and handles of the utensil. Potholders may be needed to handle the utensil.
17. To reduce the risk of fire in the oven cavity:
 - (a) Do not overcook food. Carefully attend microwave oven if paper, plastic, or other combustible materials are placed inside the oven to facilitate cooking.
 - (b) Remove wire twist-ties from bags before placing bag in oven.
 - (c) If materials inside the oven should ignite, keep oven door closed, turn the oven off at the wall switch, or shut off power at the fuse or circuit breaker panel.

FEATURE DIAGRAM



- (1) Door Safety Lock System
- (2) Oven Window
- (3) Oven Air Vent
- (4) Roller Ring
- (5) Glass Tray
- (6) Control Panel
- (7) Grill rack

CONTROL PANEL



OPERATION INSTRUCTION

1.SIMPLE COOKING

You only need press " Start/Reset " to start cooking for 1 min with P-1 microwave power.
After cooking finished you will sound five beeps for remind.

2.MICROWAVE COOKING

(A) Fast cooking method

(For example: Select P-1 power to cook foods for 5 minutes.)

a) Press "Time/Weight"button to set time "5:00"

b) Press "Start/Reset" button

(B) Control by hand

(For example: Select P-2 power to cook foods for 10 minutes)

a) Press "Micro/Grill" button to select P-2 power.

b) Press time button to set cooking time "10:00"

c) Press "Start/Reset" button.

You can press "Micro/Grill" button to select power.

Microwave power have 5 settings,and it's P-1、 P-2、 P-3、 P-4 and P-5 from high to low power.

3. AUTO WEGHT DEFROST FUNCTION

You need to press "Time/Weight" according to the weight of the food.The oven can select defrosting program and auto start defrosting.

For example: defrost 400g frozen foods

- 1) Press "Micro/Grill" button to choose defrost function, display "dEF".
- 2) Set weight "400g" by pressing "Time/Weight" buttons.
- 3).Press "Start/Reset" button.

Remark: the maximum weight is 2000g.

4.GRILL/COMBINATION COOKING FUNCTION

This function has four modes, you can choose the favourite mode by pressing the "Micro/Grill" button.

(The maximum time is 60 minutes)

Grill power have 1 settings,and it's G-1.

Combi power have 2 settings,taking the reference of microwave power.It's C-1 and C-2 from high to low power.

In grill operation (exclusive combination), the procedure will pause automatically and sound two beeps to remind you to turn over the food at the half of cooking time. Close the oven door after you turn over the food, then press "Start/Reset ", cooking will continue; If you do not want to turn over the food, the oven will continue to look cooking automatically after one minute pause.

5.Auto-Menu

You only need to select the food type and weight, it will help you to automatically adjust cooking power and time.

Example: Auto cooking 400g fish

- a) Press"Auto menu" button until "A-5" displayed.
- b) Press the " Time/Weight " to set the weight 400g.
- b) Press "Start/Reset"

Units:g

Weight (kg) Touching Times \ Menu	A-1 Rice	A-2 Vegetable	A-3 Meat	A-4 Noodle	A-5 Fish	A-6 Chicken
1	100	100	200	1	100	200
2	200	200	300	2	200	400
3	300	300	400		300	600
4	400	400	500		400	800
5	500	500	600		500	1000
6		600	800		600	1200
7			1000		700	1400
8					800	1600
9					900	1800
10					1000	2000

Remark:Noodle in marked by lot,Each lot is around 100-150g.



6. Child-safety-lock

Under standby situation, to activate the child safety lock, press "Auto menu" and "Time/Weight" at the same time for 2 seconds. Press "Auto menu" and "Time/Weight" at the same time for 2 seconds again, it will unlock the machine.

7. Clock

The oven has a 24-hour digital clock,

To input the time, for example to 16:40 :

- a) Press "Clock/Timer", the display will flash, adjust the hour with buttons "Time/Weight".
- b) Press "Clock/Timer" again, adjust the minute with buttons "Time/Weight" .
- c) Press "Clock/Timer" again and the clock will be set.
- d) If you want to change the time, repeat above procedure.

8. Timer

This allows you to set the microwave oven start and finish cooking at pre-set time.

The clock must be set before you use this feature.

Example: The current time is 16:30 and you want to start cooking at 18:15 on P-2 power for 10minutes:

- a) Press "Clock/Timer", set the time to "18:15" by pressing "Time/Weight" buttons, (same procedure as setting clock)
- b) Press "Micro/Grill " to select P-2 power.
- c) Set cooking time for 10 minutes.
- d) Press "Start/Reset"

If you do not set the power and cooking time and directly press the start button once you have programmed the time, the appliance will only work as a clock.

At 18:15 there will be 10 bleeps and the appliance will be switched off.

9. PAUSE AND CANCEL

1) Open door status

Press "Start/Reset" button to cancel setting or cooking program.

2) Close door status

Press "Start/Reset" button to start cooking after setting cooking program.

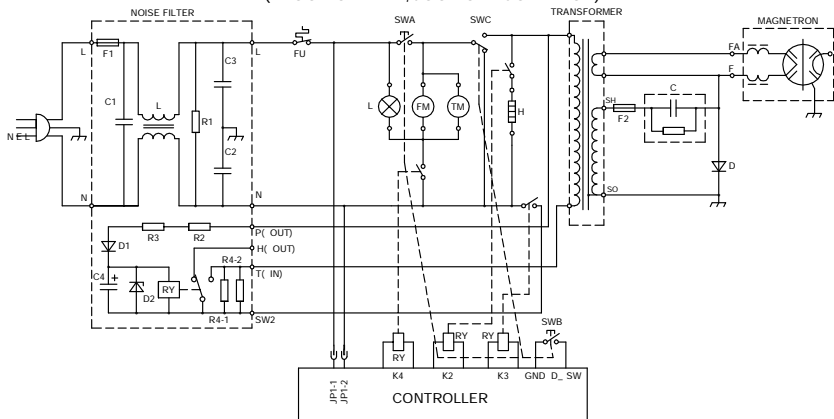
Press "Start/Reset" button to continue cooking when the cooking is in pause status.

Press "Start/Reset" button to stop working when the microwave oven is operating.

CARE OF YOUR MICROWAVE OVEN

1. Turn the oven off and remove the power plug from the wall socket before cleaning.
 2. Keep the inside of the oven clean. When food splatters or spilled liquids adhere to oven walls, wipe with a damp cloth. The use of harsh detergent or abrasives is not recommended.
 3. The outside oven surface should be cleaned with a damp cloth. To prevent damage to the operating parts inside the oven, water should not be allowed to seep into the ventilation openings.
 4. Do not allow the Control Panel to become wet. Clean with a soft, damp cloth, Do not use detergents, abrasives or spray-on cleaners on the control Panel.
 5. If steam accumulates inside or around the outside of the oven door, wipe with a soft cloth. This may occur when the microwave oven is operated under high humidity conditions and in no way indicates malfunction of the unit.
 6. It is occasionally necessary to remove the glass tray for cleaning. Wash the tray in warm sudsy water or in a dishwasher.
 7. The roller ring and oven cavity floor should be cleaned regularly to avoid excessive noise. Simply wipe the bottom surface of the oven with mild detergent, water or window cleaner and dry. The roller ring may be washed in mild sudsy water or dish washer. Cooking vapour collect during repeated use but in no way affect the bottom surface or roller ring wheels.
- When removing the roller ring from cavity floor for cleaning, be sure to replace it in the proper position.
8. Remove odors from your oven by combining a cup of water with the juice and skin of one lemon in a deep microwaveable bowl. Microwave for 5 minutes, wipe thoroughly and dry with a soft cloth.
 9. When it becomes necessary to replace the oven light, please consult a dealer to have it replaced.

SCHMATIC DIAGRAM
(DOOR OPENED, COOK OFF CONDITION)



SWA: PRIMARY INTERLOCK SWITCH
 SWB: SECONDARY INTERLOCK SWITCH
 SWC: THE MONITOR INTERLOCK SWITCH

L: LAMP
 FM: FAN MOTOR
 TM: TURNTABLE MOTOR
 H: HEATER

*CIRCUIT SUBJECT TO CHANGE WITHOUT NOTICE

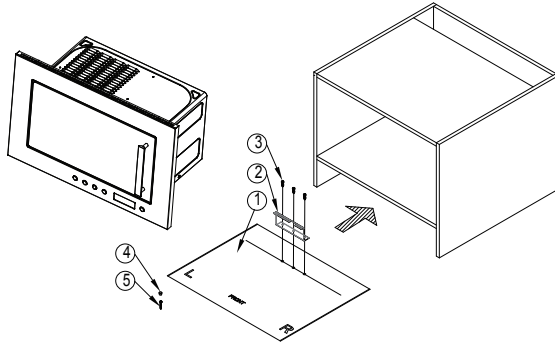




The European Directive 2002/96 /EC on Waste Electrical and Electronic Equipment (WEEE) required that old household electrical appliances must not be disposed of in the normal unsorted municipal waste stream.

Old appliances must be collected separately in order to optimize the recovery and recycling of the material they contain, and reduce the impact on human health and the environment. The crossed out “wheeled bin” symbol on the product remind you of your obligations that when you dispose of the appliance, it must be separately collected. Besides that, waste batteries and/or accumulator must be removed prior to delivery of WEEE, through the separated collection channels provided for this purpose (distributors and/or facilities from Local Authorities)

FULL BUILT-IN MICROWAVE OVEN INSTALLATION MANUAL



COMPONENTS

- | | |
|-----------------------------------|------|
| 1. Plastic buckle setting paper | 1PCS |
| 2. orientation | 1PCS |
| 3. bolt $\varnothing 4 \times 10$ | 3PCS |
| 4. screw cover | 1PCS |
| 5. bolt $\varnothing 4 \times 35$ | 1PCS |

TRIM KIT SPECIFICATIONS

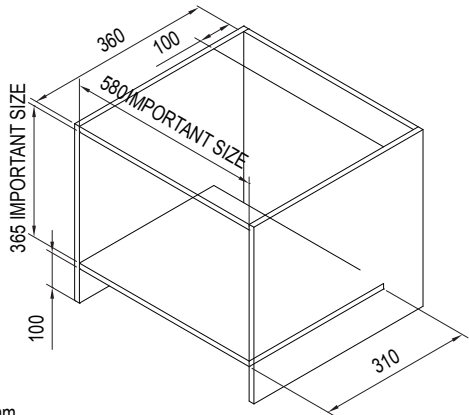
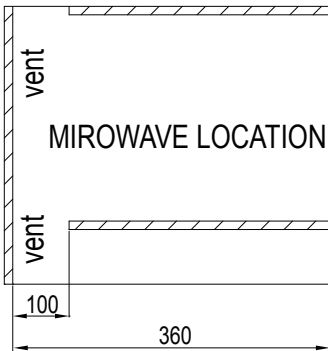
Cavity dimensions

Width 580mm
Height 365mm
Depth 360mm

FRAME dimensions

Width 592mm
Height 376mm
Depth 20mm

MICROWAVE OVEN CABINETRY

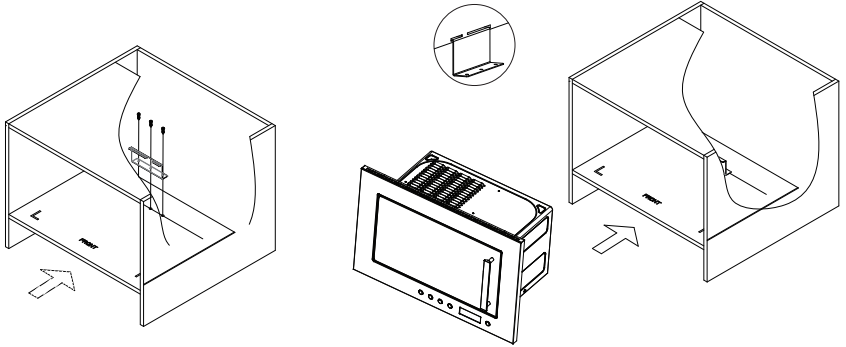


Cabinet measurement Requirements(illustrated above):

- Cabinet's inner dimension in transverse direction is 580mm.
This is the minimum distance from the left batten to right batten. Do not alter.
- Cabinet's inner dimension in longitudinal direction is 365mm.
This is the minimum distance from the left batten to right batten. Do not alter.
- Cabinet's depth should be no less than 360mm.
- Outside dimension of cabinet should be no less than 596mm,
as the frame length is 592mm.
- Cabinet's board less than 15mm or 20mm thick.

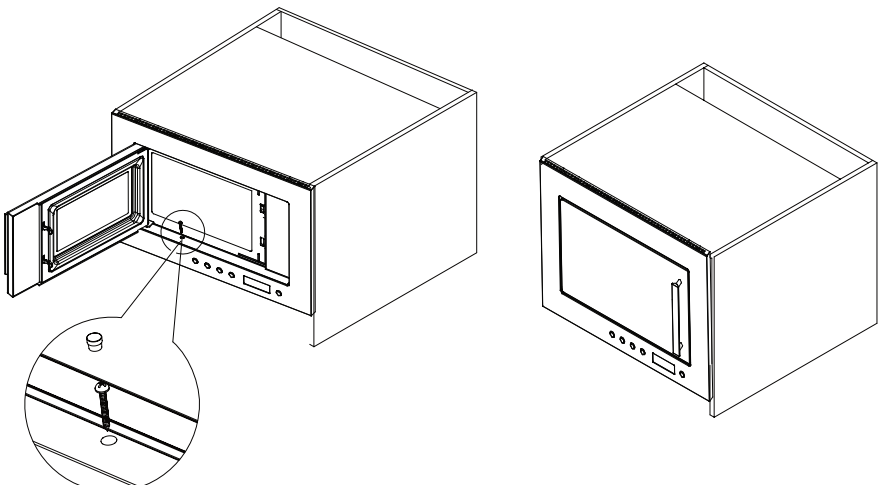


FRAME INSTALLATION STEPS



1. Cabinet must be finished as per cabinet dimensions. Put the plastic buckle setting paper (Component 1) on the bottom board of cabinet cavity. Keep the paper's front edge and the cabinet outside edge in one line. Then put the orientation (Component 2) on the paper and adjust their holes as per the hole position in the drawing. Then fix the bolt (Component 3).

2. Put the microwave oven into the cabinet and keep the microwave oven in a horizontal direction and keep the edge distance of two side as same. Then fix the orientation on then back of microwave oven.



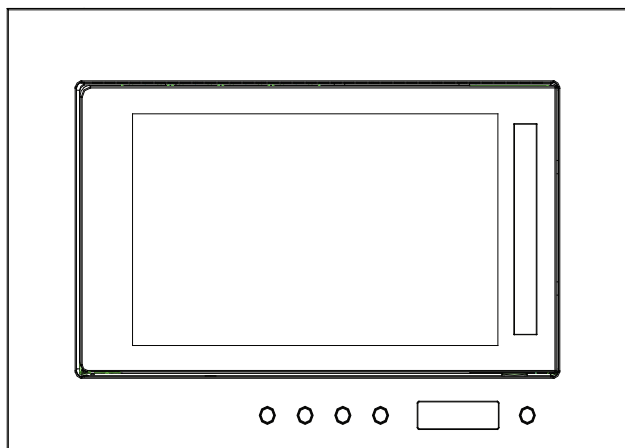
3. Open the microwave oven, fix the bolt (Component 5) and beat it into the cabinet, then install screw cover (Component 4)

NEVIR®

Microondas digital 20 litros
Manual de instruções

MODEL:NVR-6137 MEDGS

Leia atentamente o presente Manual e guarde-o para eventuais consultas futuras



ESPECIFICAÇÕES 20L.

Alimentação eléctrica e consumo:	230V~50Hz, 1.080 W
Potência microondas:	700 W
Potência Grill	800 W
Frequência:	2,450 MHz
Dimensões externas:	592 mm (largura) x 313 mm (profundidade) x 376 mm (altura)
Dimensões internas do forno:	315mm (largura) x 211 mm (profundidade) x 296 mm (altura)
Peso líquido:	Aprox. 12,5 Kg

ANTES DE CONTACTAR COM O SERVIÇO TÉCNICO:

1.- Se o forno microondas não funciona, ou se no display não surge qualquer mensagem:

- a) Verifique a correcta ligação do microondas. Caso não o estar, desligue-o, aguarde 10 segundos e volte a ligá-lo de forma segura.
- b) Verifique se se encontra fundido qualquer fusível do circuito, ou se se desligou qualquer interruptor pertencente ao circuito principal. Se não encontrar qualquer anomalia, verifique se a tomada de corrente da parede funciona com outro aparelho.

2.- Se o forno microondas não se activar:

- a) Verifique se o temporizador se encontra programado.
- b) Verifique se a porta do microondas se encontra bem fechada (em caso afirmativo os encravamentos de segurança permitirão o contacto eléctrico; em caso negativo, não será possível a activação do microondas).

SE VERIFICADOS OS PONTOS ACIMA PERSISTIR O PROBLEMA, CONTACTE COM O SERVIÇO DE ATENDIMENTO TÉCNICO AUTORIZADO.

Nota:

Este aparelho foi desenhado para um uso doméstico (aquecer alimentos e bebidas mediante energia electromagnética) apenas em interiores.

INTERFERÊNCIAS EM OUTROS APARELHOS

Eventualmente, o forno microondas pode gerar interferências em aparelhos de rádio, televisão, ou outros similares. Se isto acontecer, pode eliminar as interferências seguindo os seguintes passos:

- a.- Limpe a porta e as superfícies da junta da mesma.
- b.- Não coloque aparelhos de rádio, televisão, etc. perto do forno microondas.
- c.- Utilize uma antena correctamente instalada para obter na sua TV ou rádio uma recepção de sinais mais intensa.

INSTALAÇÃO

- 1.- Retire do interior do forno microondas qualquer material de empacotado.
- 2.- Uma vez retirada a embalagem, inspeccione visualmente o microondas e verifique se há:

Furos ou mossas na janela da porta ou no display.
Porta desajustada.
Porta danificada.
Mossas no recinto interior.

Se observar qualquer das danificações acima, NÃO UTILIZE o forno.

- 3.- Este forno microondas pesa 17,5 kg e deve ser colocado numa superfície horizontal suficientemente resistente para suportar o peso referido.
- 4.- Não colocar o forno microondas perto de fontes de altas temperaturas ou de vapores.
- 5.- NUNCA coloque qualquer objecto na superfície superior do forno.
- 6.- NÃO retire o eixo central do prato giratório.
- 7.- Como com qualquer outro electrodoméstico, o microondas apenas deverá ser utilizado por crianças sob a supervisão de um adulto.

NOTA – ESTE APARELHO DEVE SER LIGADO À TERRA

- 1.- A tomada de electricidade deverá estar próxima do cabo principal.
- 2.- Este forno requer uma alimentação eléctrica de 1.3 KVA. Aconselhamos consultar o serviço técnico ao instalar o forno.

AVISO: este forno conta com um fusível interno de 10Amp e 250V de protecção.

IMPORTANTE




Os fios condutores do cabo principal têm as seguintes cores e funções.

Verde e amarelo: terra

Azul: neutro

Castanho: “fase”

Se as cores dos fios do cabo principal não coincidem com as cores de identificação dos pólos na tomada de electricidade, siga os seguintes passos:

O condutor verde e amarelo deve ser ligado ao terminal da tomada marcado com a letra E ou com o símbolo de terra  de cor verde do verde e amarelo.

O condutor azul deve ser ligado ao terminal marcado com a letra N ou de cor preta.

O condutor castanho deve ser ligado ao terminal marcado com a letra L ou de cor vermelha.

NORMAS IMPORTANTES SOBRE SEGURANÇA

- **IMPORTANTE:** Se o aparelho está a funcionar em "modo combinado" (microondas + grill, se aplicável), dada a temperatura alcançada, apenas deverá ser utilizado por crianças sob a supervisão de um adulto.

- **IMPORTANTE:** Se a porta do aparelho ou as juntas da mesma estiverem danificadas, não utilize o forno, que deverá ser reparado por pessoal técnico qualificado.

- **IMPORTANTE:** A realização de tarefas de manutenção ou reparação por pessoas não especializadas iria implicar risco para as mesmas, especialmente se for retirada a cobertura que protege contra a exposição às micro-ondas.

- **IMPORTANTE:** Não aquecer excessivamente alimentos sólidos nem líquidos em recipientes selados: poderiam rebentar.

- **IMPORTANTE:** O microondas apenas deverá ser utilizado por crianças sob a supervisão de um adulto ou por crianças que receberam adequadas instruções sobre a utilização do aparelho e sobre os riscos de um uso incorrecto.

- O forno deve estar correctamente ventilado. Respeite, como mínimo, 10 cm de espaço livre na parte posterior, 15 cm em ambos os lados, e 30 cm na parte superior. Não retirar os pés do aparelho nem bloquear as saídas de ar do microondas.

- Utilize apenas utensílios adequados para fornos microondas.

- Ao aquecer alimentos em recipientes plásticos ou de papel, preste especial atenção: risco de combustão.

- Se observar fumo, desligue o microondas com o botão correspondente e em seguida interrompa a alimentação eléctrica; mantenha fechada a porta do microondas de forma a evitar a propagação de uma eventual fonte de chama.

- O aquecimento de bebidas no microondas pode gerar uma ebulição mesmo com o forno já inactivo: preste atenção portanto ao pegar no recipiente.
- Agitar o conteúdo de frascos e biberões e verificar a temperatura antes do consumo: risco de queimaduras.
- Não cozinhar ovos na casca: uma vez retirada a casca, perfure bem a gema (caso contrário, o ovo poderia rebentar mesmo com o forno já inactivo).
- Para limpar as diferentes superfícies da porta, a junta da mesma, o recinto interior, etc. utilize apenas sabões ou detergentes suaves, não abrasivos, aplicados com uma esponja ou pano suave.
- Limpar com regularidade o exterior e interior do microondas, e retirar qualquer resto de comida.
- Não manter o microondas em condições de higiene implicaria a deterioração do acabamento do mesmo, que por sua vez iria reduzir a vida de funcionamento, além de implicar situações de risco.
- Se estiver danificado o cabo principal, deverá ser substituído pelo serviço técnico do fabricante, por um agente comercial do mesmo, ou por pessoal técnico especializado: evite assim qualquer risco desnecessário.

GENERALIDADES SOBRE SEGURANÇA

Para obter a melhor performance no funcionamento do microondas, observe as seguintes normas:

- 1.- A bandeja de vidro, base giratória e pista de rolamento devem estar correctamente colocadas antes de utilizar o microondas.
- 2.- Nunca utilizar o microondas para usos que não sejam a preparação de alimentos (nunca para esterilizar, para secar roupa ou papel nem qualquer outro objecto que não seja um alimento).
- 3.- Nunca pôr em funcionamento o microondas se se encontra vazio: o aparelho poderia ficar danificado.
- 4.- Nunca utilizar o recinto interior para guardar objectos (papéis, nem livros de cozinha, etc.).
- 5.- Para cozinhar alimentos cobertos por uma membrana (gemas de ovos, batatas, fígado de frango, etc.), primeiro devem ser perfurados várias vezes com um garfo.
- 6.- Não inserir qualquer objecto nas aberturas da carcaça externa.
- 7.- Nunca retirar qualquer peça do forno (pés, acoplamentos, parafusos, etc.).



8.- Não cozinhar directamente na bandeja de vidro: coloque sobre a mesma um recipiente adequado para microondas e onde ter previamente introduzido os alimentos.

9.- IMPORTANTE: RECIPIENTES NÃO ADEQUADOS PARA MICROONDAS

Não utilize caçarolas metálicas nem pratos com asas ou cabos em metal.

Não utilize qualquer objecto que tiver rebordos metálicos.

Não utilize sacos plásticos que tiverem fechos metálicos cobertos de papel.

Não utilize pratos de melamina, já que contém um material que iria absorver a energia do microondas e os pratos poderiam fender ou ficar carbonizados, além de aumentar o tempo de cozedura.

Não utilize "Centura Tableware". O cristal não é um material adequado para uso em microondas.

As chávenas "Corelle Livingware" de asa fechada não devem ser utilizadas.

Não utilize recipientes com abertura estreita, tais como garrafas plásticas ou garrafas de óleo para saladas: poderiam rebentar ao aquecer no microondas.

Não utilizar termómetros de carne convencionais nem termómetros para guloseimas. Apenas podem ser utilizados termómetros específicos para cozinhar com microondas.

10.- Se tiver qualquer dúvida, consulte os recipientes recomendados pelo fabricante do microondas.

11.- Não tente fritar alimentos com óleo abundante neste microondas.

12.- Lembre-se que nos fornos microondas os líquidos dos recipientes sempre alcançam uma temperatura superior ao do próprio recipiente. Portanto, mesmo se a tampa de um recipiente não se encontrar quente ao toque uma vez fora do microondas, o alimento sólido ou líquido irá emitir vapor e/ou salpicar tal como se cozinhado num fogão.

13.- Antes de consumir os alimentos, verifique a temperatura dos mesmos, especialmente se aquece ou cozinha alimentos sólidos ou líquidos para bebês. Aconselhamos não consumir nunca o alimento sólido ou líquido assim que retirado do microondas: deixe-o repousar uns minutos e em seguida mexa-o para distribuir o calor uniformemente.

14.- Os alimentos que contém uma mistura de gordura e água (por exemplo, caldo) deverão ficar entre 30 e 60 segundos no microondas já desactivado: assim a mistura irá se assentar, evitando a eventual ebulição ao colocar uma colher no alimento ou líquido, ou ao introduzir um cubo de caldo.

15.- Ao preparar ou cozinhar alimentos sólidos/líquidos, lembre-se que há alimentos (por exemplo pudim de Natal, compota ou doces cítricos) que aquecem rapidamente. Ao aquecer ou cozinhar alimentos de alto teor em gordura ou açúcar, não utilize recipientes plásticos.

16.- Os recipientes para microondas poderão ficar quentes devido à transferência de calor proveniente do alimento já quente, especialmente se foi cozinhado bem coberto. Utilize portanto luvas de cozinha para pegar no recipiente.

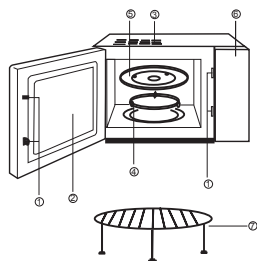
17.- Para reduzir o risco de fogo no recinto interior do forno:

a) Não cozinhe excessivamente os alimentos. Preste especial atenção se para facilitar a cozedura colocou papel, plástico ou outros materiais combustíveis no interior do microondas.

b) Antes de colocar qualquer saco no microondas, retire os fechos metálicos do mesmo.

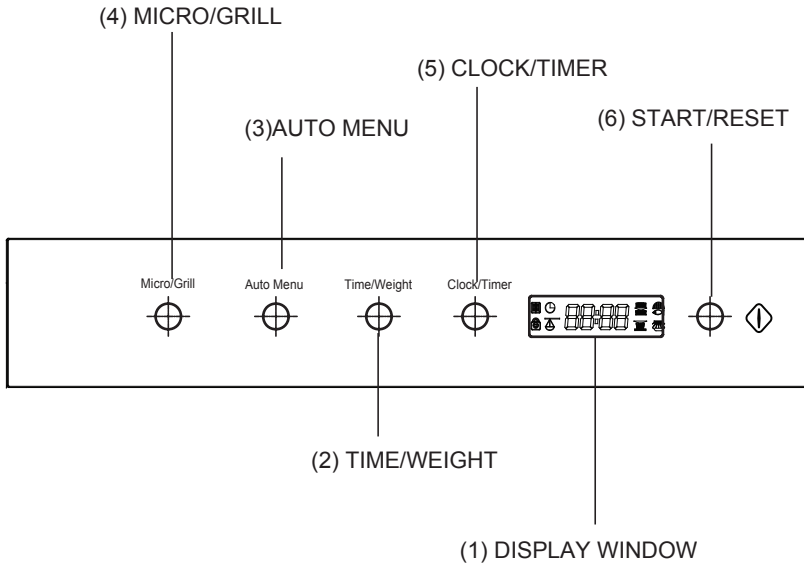
c) Se os materiais acendem no interior do microondas, mantenha fechada a porta do aparelho, desligue o forno, ou desligue a alimentação eléctrica através do quadro eléctrico onde se encontrar o fusível ou o interruptor automático.

DIAGRAMA



- (1) Sistema de fecho de segurança da porta
- (2) Janela do forno
- (3) Ventilação do forno
- (4) Base giratória
- (5) Bandeja de vidro
- (6) Painel de controlo
- (7) Grelha

PAINEL DE CONTROLO



INSTRUÇÕES DE FUNCIONAMENTO

1.- Função Microondas Básica

Basta premir um botão para iniciar o funcionamento do microondas, o que é especialmente cómodo e prático para, por exemplo, aquecer um copo de água.

Exemplo: para aquecer um copo de água:

- Coloque o copo de água na bandeja giratória e feche a porta.
- Prima o botão "Start/Reset": o microondas activar-se-á durante 1 minuto na potência máxima.
- Após 1 minuto, ouvirá cinco toques.

2.- Função Microondas

Esta função tem duas opções:

- Função de aquecimento rápido (100% de potência).

Exemplo: aquecer alimentos durante 5 minutos a potência máxima.

- a) Prima “Time/Weight” até “5:00” surgir no display.
- b) Prima “Start/Reset”.

2) Função com controlo manual:

Exemplo: aquecer alimentos durante 10 minutos a 70% de potência.

- a) Prima o botão “Micro/Grill”, em seguida seleccione 70% de potência.
- b) Prima “Time/Weight” até “10:00” surgir no display.
- c) Prima “Start/Reset”.

Há 5 níveis de potência, e o tempo máximo de cozedura é de 60 minutos.

Vezes a premir:	Potência de microondas	Mensagem no display
1	100%	P-1
2	70%	P-2
3	50%	P-3
4	30%	P-4
5	10%	P-5

3.- Descongelação

Selecione o tipo de alimento e o peso, e o microondas irá lhe ajudar a programar o nível de potência e o tempo de cozedura.

Exemplo: descongelar 400g de carne congelada

- a) Prima o botão “Micro/Grill” para em seguida seleccionar “dEF”
- b) Prima “Time/Weight” para em seguida programar o peso a 400g.
- c) Prima “Start/Reset”.

O peso da carne deve ser inferior a 2 kg.

O peso máximo do peixe é de 1 kg.

4.- Função Menu

Basta com seleccionar o tipo de alimento e o peso, e o microondas irá lhe ajudar a programar o nível de potência e o tempo de cozedura.

Exemplo: função menu para 0,4 kg de peixe.

- a) Prima o botão “Função Menu” para em seguida seleccionar A-5.
- b) Prima o aro “Time/Weight” para programar o peso no valor 0,4 kg.
- c) Prima “Start/Reset”.

	A-1	A-2	A-3	A-4	A-5	A-6
Vezes a premir peso/menu	Arroz	Legumes	ritda	Pasta	Peixe	Frango
1	100	100	200	1	100	200
2	200	200	300	2	200	400
3	300	300	400		300	600

4	400	400	500		400	800
5	500	500	600		500	1000
6		600	800		600	1200
7			1000		700	1400
8					800	1600
7					900	1800
8					1000	2000

5.- Função Grill

Esta função tem 1 opções. Ao premir "Micro/Grill", pode seleccionar os seguintes "modos": (tempo máximo de cozedura: 60 minutos).

Modo 1: 85% de potência de grill; no display surgirá "G-1".

Modo 2: 50% de potência de grill; no display surgirá "G-2".

Exemplo: cozinhar com grill durante 20 minutos.

- Prima "Micro/Grill" para em seguida seleccionar "G-1".
- Programe o tempo de cozedura no valor "20:00" virando o aro "Time/Weight".
- Prima o botão "Start/Reset".

Ao utilizar a função "Micro/Grill", o alimento não aquece por microondas: o calor é radiado desde o aquecedor metálico da parte superior do forno.

Uma vez activada a função "Micro/Grill", o tempo de cozedura tem duas fases: concluída a primeira metade do tempo, o programa pára automaticamente e ouvem-se dois toques que lhe indicam que pode abrir o forno microondas e virar os alimentos; em seguida feche a porta, prima o botão "Start/Reset" e o forno iniciará a segunda fase de cozedura. Se não desejar virar os alimentos, o forno irá iniciar automaticamente a segunda fase de cozedura transcorrido 1 minuto de pausa na mesma.

6.- Função Combinada

Este aparelho possibilita escolher entre dois modos de "Micro/Grill".

Opção 1: função combinada (55% microondas + 45% grill).

No display surge "C-1".

Opção 2: função combinada (30% microondas + 70%).

No display surge "C-2".

Exemplo: cozinhar utilizando a opção 2 durante 15 minutos.

- Prima "Micro/Grill" e seleccione "C-2".
- Programe o tempo de cozedura no valor "15:00" virando o aro "Time/Weight".
- Prima "Start/Reset".

7. Segurança para crianças

Pressione "Auto menu" e "Time / Weight" ao mesmo tempo por 2 segundos Pressione "Auto menu" e "Time / Weight" ao mesmo tempo por 2 segundos novamente, Ele desbloqueará a máquina.

8. Relógio

O forno tem um relógio digital de 24 horas, Para introduzir a hora, por exemplo, para 16:40:

- Pressione "Clock / Timer", o display piscará, ajuste a hora com os botões "Time / Weight".
- Pressione "Clock / Timer" novamente, ajuste os minutos com os botões "Time / Weight".
- Pressione "Clock / Timer" novamente eo relógio será ajustado.
- Se quiser alterar a hora, repita o procedimento acima.

9. Temporizador

Isso permite que você defina o início do forno de microondas e termine a cozedura no tempo predefinido. O relógio deve ser configurado antes de usar esse recurso.

Exemplo: A hora atual é 16:30 e você quer começar a cozinhar às 18:15 na potência P-2 por 10 minutos:

- A) Pressione "Clock / Timer", ajuste a hora para "18:15" pressionando os botões "Time/Weight" (o mesmo procedimento que o ajuste do relógio)
- B) Prima "Micro / Grill" para seleccionar a potência P-2.
- C) Ajuste o tempo de cozedura por 10 minutos.
- D) Pressione "Iniciar / Reiniciar"

Se não programar o tempo de cozedura e de alimentação e premir directamente o botão de arranque uma vez programado o tempo, o aparelho funcionará apenas como um relógio.

Às 18:15 haverá 10 sinais sonoros eo aparelho será desligado.

10. PAUSE AND CANCEL

1) Status da porta aberta

Pressione o botão "Start / Reset" para cancelar o programa de configuração ou cozinhar.

2) Fechar o estado da porta

Prima o botão "Iniciar / Reiniciar" para iniciar a cozedura depois de ter programado o programa de cozedura.

Prima o botão "Start / Reset" para continuar a cozinhar quando a cozedura estiver em estado de pausa. Pressione o botão "Start / Reset" para parar de funcionar quando o forno de microondas estiver funcionando.

CUIDADO DO MICROONDAS

1.- Se deseja deslocar o aparelho, primeiro desligue-o com o painel frontal e em seguida retire a ficha da tomada.

2.- Mantenha limpo o interior do microondas. Para limpar os derramamentos de líquidos ou restos de salpicaduras colados nas paredes interiores, utilize um pano húmido (evite utilizar detergentes fortes ou abrasivos).

3.- Limpe as superfícies exteriores com um pano húmido. Para não danificar os componentes interiores de funcionamento do microondas, evite qualquer acesso de água através dos orifícios de ventilação.

4. O Painel de Controlo não admite o contacto com água. Limpe-o com um pano suave humedecido e não utilize sprays, nem detergentes ou produtos de limpeza abrasivos.

5.- Se houver vapor acumulado no interior ou no exterior da porta do microondas, retire-o com um pano suave (pode acontecer em condições de alta humidade ambiente, mas não implica qualquer falha no funcionamento do aparelho).

6.- Quando for necessário limpe a bandeja giratória de vidro: retire-a do microondas e lave-a em água quente com sabão, detergente, ou introduza-a na máquina de lavar louça.

7.- Para evitar ruído excessivo, limpe regularmente a base giratória e a pista de rolamento: simplesmente, limpe a base do recinto interior do microondas com detergente suave, água, ou um produto de limpeza de vidros, e em seguida seque-a. A base giratória, uma vez retirada do microondas, pode ser lavada em água com sabão ou na máquina de lavar louça. Os vapores das cozeduras acumulam-se com o tempo, mas não supõem qualquer danificação nas superfícies interiores nem nas rodas de deslocação da base giratória.

Ao retirar da pista de rolamento a base giratória para as limpar, certifique-se de voltar a colocá-la correctamente.

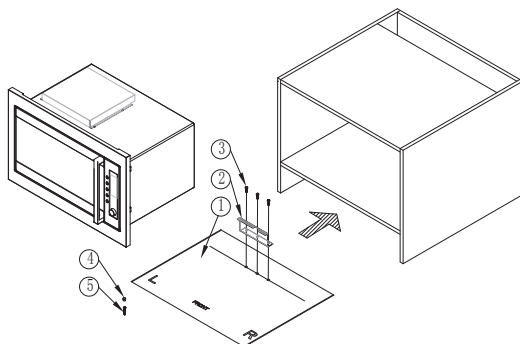
8.- Para eliminar os cheiros do microondas, num recipiente profundo para microondas deite uma chávena de água e o sumo e a casca de um limão. Introduza e aqueça o recipiente no microondas durante 5 minutos. Limpe minuciosamente e em seguida seque com um pano suave.

9.- Quando for necessário substituir a lâmpada interior do microondas, contacte com o seu distribuidor.



Este símbolo indica que quando o utilizador final desejar descartar este produto, poderá ser enviado para instalações de coleção e separação para recuperação e reciclagem. Ao separar estes productos de outros resíduos doméstico, o volumen de residuos enviados para os incineradores é reduzido e os recursos naturais serão conservados. Da mesma forma deve remover baterias e / ou acumuladores usados antes da entrega dos REEE através dos canais do recolha selectiva previstos para este efeito (distribuidores e / ou instalações de Autoridades Locais)

Apropriado para fornos de 20 litros KIT DE INSTALAÇÃO DO MICROONDAS



- 1. Papel de definição da base
- 2. Peça de metal
- 3. Parafusos de 4 mmX10 mm

IPÇS
IPÇS
3PÇS

- 4. Tampa do parafuso
- 5. Parafusos de 3 mmX12 mm

1 PÇS
8 PÇS

Especificações técnicas do kit de instalação

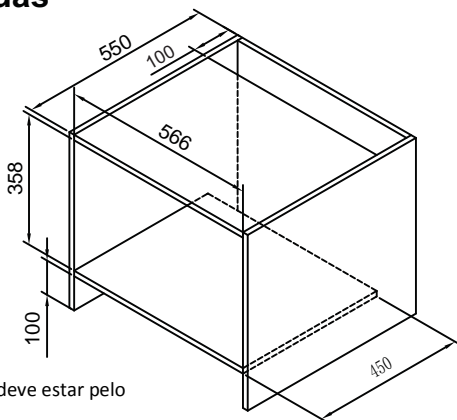
Dimensões da cavidade

Largura interna 566 mm
ALTURA 358 mm
Profundidade 580 mm

Dimensões totais do kit

Largura 592 mm
Altura 376 mm
Profundidade 20 mm

Armário do forno microondas

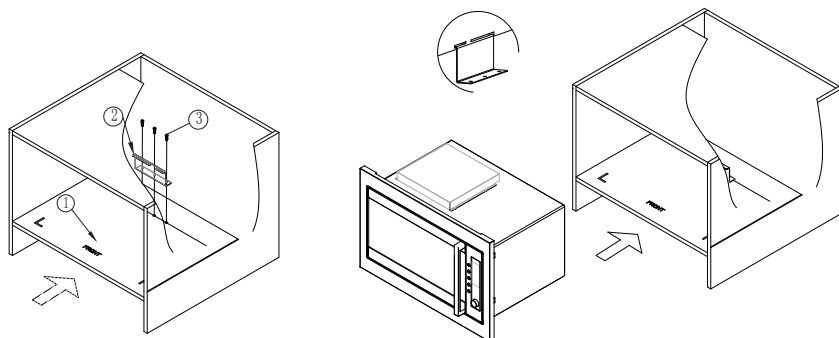


Atenção: Ao instalar, o fundo do forno microondas deve estar pelo menos 85 cm distante do chão;

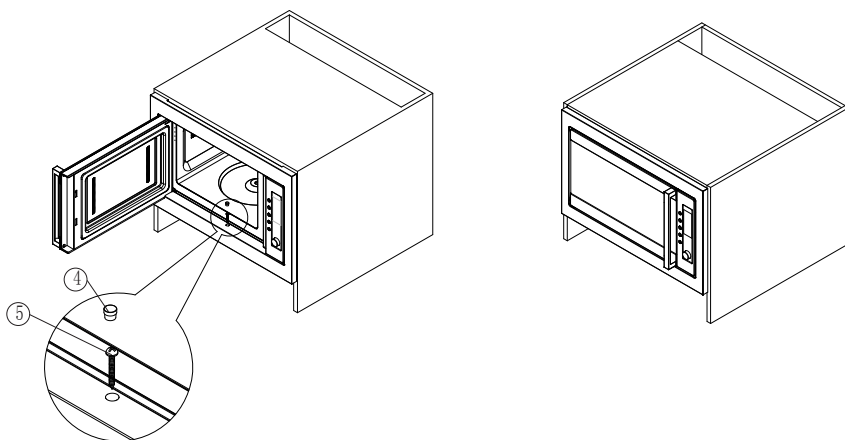
Requisitos das medidas do armário (ilustrado acima):

1. A dimensão interna do armário no sentido transversal é de 566 mm. Esta é a distância mínima do batente esquerdo ao batente direito. Não alterar.
2. A dimensão interna do armário no sentido do comprimento é de 358 mm. Esta é a distância mínima do batente esquerdo ao batente direito. Não alterar.
3. A profundidade do armário não deverá ser menor do que 550 mm.
4. A dimensão externa do armário não deve ser menor do que 596 mm, já que a extensão da estrutura é de 592 mm.
5. A tábua do armário inferior a 15 mm ou 20 mm de espessura.

PASSOS PARA A INSTALAÇÃO



1. Fixe o armário conforme o diagrama acima. Coloque o papel de definição da base (Componente 5) na tábua inferior da cavidade do armário. Mantenha a extremidade frontal do papel e a extremidade externa do armário numa única linha. Depois coloque a base (Componente 2) no papel e ajuste os seus orifícios, conforme a posição do orifício no desenho. Em seguida, fixe os parafusos necessários.(Componente 3)



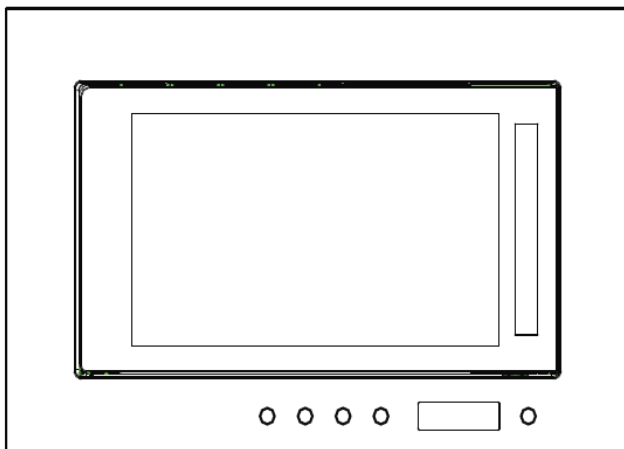
2. Mantenha o forno microondas na posição horizontal. Coloque o forno microondas cuidadosamente no armário

3. Abra.o forno de microondas,conserfe o parafusos de 4mmx3mm(componente 5),E bata-o no.armário,então instale a tempa.do parafuso (componente 4)

nevir®

Horno Microondas de Acero
Inoxidable de 20 Litros Encastrado
con Grill

NVR-6137 MEDGS



MANUAL DE INSTRUCCIONES

**Lea las Instrucciones atentamente y manténgalas para su
futura referencia**



MEDIDAS DE SEGURIDAD IMPORTANTES

Las siguientes precauciones básicas deben seguirse siempre que se utilicen aparatos eléctricos:

1. Lea todas las instrucciones antes de utilizar el aparato.
2. Utilice este aparato únicamente para los usos indicados en este manual. No aplique líquidos o vapores corrosivos en el aparato. Este horno está específicamente diseñado para calentar, cocinar o secar comida. No está diseñado para uso industrial o de laboratorio.
3. No encienda el horno estando vacío.
4. No encienda este aparato si tiene un cable o enchufe dañado, si no está funcionando correctamente o si se ha caído o resultado dañado. Si el cable de suministro eléctrico está dañado, debe ser reemplazado por el fabricante, su servicio técnico o un profesional cualificado para evitar riesgo.
5. **ADVERTENCIA:** Cuando el aparato es utilizado en el modo combinado, los niños solo deben utilizar el horno bajo la supervisión de un adulto, debido a las temperaturas que se generan.
6. **ADVERTENCIA:** Solo permita el uso del horno por parte de niños sin supervisión cuando se les hayan dado las instrucciones adecuadas para que el niño pueda utilizar el horno de manera segura y haya entendido los riesgos de un uso inadecuado.
7. Para reducir el riesgo de fuego en la cavidad del horno:
 - a. Cuando caliente comida en contenedores de plástico o papel, preste atención al horno por la posibilidad de ignición.
 - b. Retire los precintos de alambre del papel o del plástico antes de colocar las bolsas en el horno.

- c.** Si se observa humo, apague o desenchufe el aparato y mantenga la puerta cerrada para sofocar cualquier posible llama.
- d.** No utilice la cavidad con fines de almacenamiento. No deje productos de papel, utensilios de cocina o comida en la cavidad interior cuando no esté utilizando el horno.
- 8. ADVERTENCIA:** Los líquidos u otros alimentos no deben ser calentados en contenedores sellados, pues podrían explotar.
- 9.** El calentamiento de bebidas puede resultar en una ebullición retrasada, por lo que debe tenerse cuidado cuando se maneje el contenedor o recipiente.
- 10.** No fría comida en el horno. El aceite caliente puede dañar las partes y utensilios del aparato e incluso resultar en quemaduras en la piel.
- 11.** Los huevos en su cascara y huevos cocidos, no deberían calentarse en el microondas, dado que pueden explotar una vez el microondas ha terminado de calentarlos.
- 12.** Perfore los alimentos con una piel gruesa, como patatas, calabazas enteras, manzanas o frutos secos antes de calentarlos.
- 13.** El contenido de los biberones y tarros de comida para bebés debe ser agitado o sacudido y la temperatura comprobada antes de su consumo, para evitar quemaduras.
- 14.** Los utensilios de cocina pueden estar calientes debido a la transferencia de calor de la comida calentada. Pueden ser necesarios guantes o agarraderas para retirar el recipiente.
- 15.** Los accesorios no recomendados por el fabricante pueden causar lesiones a las personas, por lo que debe comprobarse que son adecuados para su uso en

microondas.

16. ADVERTENCIA: es peligroso para cualquier persona, que no sea una persona cualificada para ello, llevar a cabo cualquier operación de mantenimiento o reparación que consista en la extracción de la cubierta que da protección contra la exposición a la energía del microondas; nunca quite la cubierta de la guía de ondas.

17. Este producto es un aparato de clase I, lo que significa que la protección contra descargas eléctricas no se limita a un aislamiento básico, sino que además incluye medidas adicionales de seguridad, de tal forma que las partes conductoras accesibles están conectadas a la toma de tierra en la instalación del cableado de tal manera que dichas partes no pueden transmitir la descarga en el caso de un fallo del aislamiento básico. Al tratarse de un equipo de clase B, es apto para uso doméstico.

18. Este aparato no está diseñado para ser utilizado por personas (incluidos niños) con capacidades físicas, sensoriales o mentales reducidas, o falta de experiencia y conocimiento, a menos que sean supervisados o instruidos acerca del uso del aparato por una persona responsable de su seguridad.

19. Los niños deben ser supervisados para asegurar que no juegan con el aparato.

20. ADVERTENCIA: No instale el horno sobre una superficie de cocinado u otro aparato que desprenda calor. En dicho caso podría resultar dañado y la garantía no cubriría el daño.

21. La superficie de acceso puede calentarse cuando el aparato esté en funcionamiento.

22. La puerta o la superficie exterior puede calentarse cuando el aparato esté en funcionamiento.

- 23.** La superficie exterior accesible puede calentarse cuando el aparato esté en funcionamiento.
- 24.** El aparato debería colocarse contra una pared.
- 25. ADVERTENCIA:** si la puerta o las juntas están dañadas o el horno está funcionando mal, el horno no debe utilizarse hasta que haya sido reparado por una persona cualificada para ello.
- 26.** Los aparatos no están diseñados para hacerlos funcionar por medio de un temporizador externo o un sistema de control remoto independiente.
- 27.** El horno microondas es para uso doméstico exclusivamente, y no para uso comercial.
- 28.** Nunca retire los separadores de la parte trasera o los lados, dado que aseguran la distancia mínima con la pared para la circulación del aire.
- 29.** Por favor retire el plato giratorio antes de mover el aparato para evitar daños.
- 30.** Precaución: es peligroso para cualquier persona, que no sea una persona cualificada, llevar a cabo cualquier operación de mantenimiento o reparación porque esta situación requiere la extracción de la cubierta que asegura la protección contra la radiación del microondas. Esto se aplica también a la sustitución del cable de suministro eléctrico o a la luz interior. En estos casos, envíe el microondas a nuestros servicios centrales.
- 31.** El horno microondas está ideado para el descongelado, cocinado y preparación al vapor únicamente de alimentos.
- 32.** Utilice guantes para la extracción de comida calentada.
- 33. Precaución!** Se desprenderá vapor al abrir el envoltorio del recipiente.
- 34.** Si sale humo, apague o desenchufe el aparato y

mantenga la puerta cerrada para sofocarlo.



ADVERTENCIA: SUPERFICIE CALIENTE

Este aparato puede ser utilizado por niños de 8 años o más y personas con capacidades físicas, mentales o sensoriales reducidas o con falta de experiencia y conocimientos si han recibido la supervisión o instrucción necesaria en el uso correcto y seguro del aparato y entienden los riesgos que conlleva. Los niños no deben jugar con el aparato. La limpieza y mantenimiento no debe ser realizada por niños a no ser que sean mayores de 8 años y estén bajo supervisión. Mantenga el aparato y el cable de suministro eléctrico fuera del alcance de niños de menos de 8 años.

DATOS TÉCNICOS

Consumo energético:	230V~50Hz, 1080W
Output:	700W
Calentador del Grill:	800W
Frecuencia en operado:	2,450MHz
Dimensiones exteriores:	592mm(W) X 313mm(D) X 376mm(H)
Dimensiones de la cavidad del horno:	315mm(W) X 211mm(D) X 296mm(H)
Capacidad del Horno:	20litres
Peso:	Aprox. 12.5kg

ANTES DE LLAMAR AL SERVICIO TÉCNICO:

1. Si el horno no funciona en absoluto, el indicador digital no se enciende o desaparece:
 - a. Compruebe y asegúrese de que el horno está enchufado correctamente. Si no lo está, saque la clavija del enchufe, espere 10 segundos y enchúfela de nuevo de manera segura.
 - b. Compruebe la instalación y asegúrese de que no hay un fusible quemado o que haya saltado. Si la instalación parece funcionar de forma correcta, pruebe el enchufe con otro aparato.
2. Si el microondas no arranca a funcionar:
 - a. Compruebe que ha introducido el tiempo de cocinado
 - b. Compruebe y asegúrese de que la puerta está completamente cerrada de forma segura para que se cierren los enganches de seguridad. De otro modo, la energía no fluirá hacia el horno.

SI NADA DE LO ANTERIOR RECTIFICA LA SITUACIÓN, CONTACTE CON SU AGENTE AUTORIZADO DE SERVICIO.

Nota:

Este aparato es exclusivamente para uso doméstico en interiores, y solo para el calentado de comida y bebidas usando energía electromagnética.

INTERFERENCIAS DE RADIO

El horno microondas puede causar interferencias en su radio, TV o aparatos similares. Cuando se produzcan interferencias, pueden eliminarse o reducirse siguiendo los siguientes procedimientos:

- a. Limpie la puerta y la superficie de cierre del horno.
- b. Sitúe la radio, TV, etc. tan alejados como le sea posible del microondas.
- c. Use una antena adecuadamente instalada para su radio, TV, etc. para tener una recepción de señal fuerte.

INSTALACIÓN

1. Saque todo el embalaje. Si hay una película de seguridad sobre el horno, arránquela antes de su uso. Asegúrese de que ha sacado todos los materiales de embalaje del interior antes de usar el microondas.
2. Compruebe cuidadosamente si hay daños, como pudieran ser:
 - a. Puerta desajustada
 - b. Puerta dañada
 - c. Mellas o agujeros en la ventana de la puerta y en la pantalla
 - d. Mellas en la cavidad
 - e. Si encontrase alguno de estos daños NO utilice el microondas.
3. Este horno microondas pesa 10.5 Kg y debe ser colocado en una superficie horizontal lo suficientemente fuerte como para soportar su peso.
4. El horno debe colocarse lejos de altas temperaturas y vapores.

5. NO coloque nada encima del horno microondas.
6. NO retire el mecanismo giratorio del plato.
7. Como con cualquier otro electrodoméstico, se requiere supervisión cuando sea utilizado por niños.

ADVERTENCIA – ESTE APARATO DEBE ESTAR APOYADO

1. El enchufe debería estar al alcance del cable de suministro.
2. Este horno requiere 1.3 KVA de entrada. Se sugiere consultar con el servicio técnico cuando se instale.


CUIDADO: Este horno está protegido internamente por un fusible ac 250V, 8 Amp.

IMPORTANTE

Los colores de los cables dentro del cable de suministro eléctrico responden al siguiente código:

Verde y Amarillo	: Tierra
Azul	: Neutro
Marrón	: Fase

Dado que los colores de los cables en el cable de suministro pueden no coincidir con las marcas coloreadas identificativas en su enchufe, proceda de la siguiente forma:

El cable coloreado en verde y amarillo debe estar conectado a la clavija del enchufe marcada con la letra E o el símbolo de toma de tierra  o de color verde.

El cable de color azul debe conectarse a la clavija del terminal marcada con una N o de color negro.

El cable de color marrón debe conectarse a la clavija del terminal con la letra L o de color rojo.

IMPORTANTES INSTRUCCIONES DE SEGURIDAD

ADVERTENCIA: Cuando el electrodoméstico es utilizado en modo combinado, los niños solo deberían usarlo bajo la supervisión de un adulto debido a las altas temperaturas generadas (solo para el modelo con función de grill).

ADVERTENCIA: Si la puerta o los cierres están dañados, el horno no debe utilizarse hasta haber sido reparado por un profesional competente.

ADVERTENCIA: Es peligroso para cualquiera que no sea un profesional cualificado llevar a cabo ningún servicio o reparación que conlleve la retirada de la cubierta que protege de la exposición a la energía del microondas.

ADVERTENCIA: Líquidos y alimentos no deben calentarse dentro de un recipiente cerrado dado que podrían explotar.

ADVERTENCIA: Solo permita a los niños usar el horno sin la supervisión de un adulto cuando hayan recibido instrucciones adecuadas de forma que el niño pueda usarlo de manera segura y entendiendo los peligros de un uso inadecuado.

El horno debe tener suficiente aireación. Mantenga 10 cm de espacio en la parte trasera, 15 cm en ambos lados y 30 cm en la parte superior. No retire los pies del horno, ni bloquee los conductos de salida del aire del mismo.

Solo utilice utensilios adecuados para uso en hornos microondas.

Cuando caliente comida en contenedores de plástico o papel, manténgase atento al horno ante la posibilidad de ignición.

Si se observa humo, apague o desenchufe el aparato y mantenga la puerta cerrada para sofocar las llamas.

El calentado de bebidas en el microondas puede tener como

resultado una ebullición retrasada, por lo que debe tenerse cuidado cuando se coja el recipiente.

El contenido de los biberones y tarros de comida para bebés debe ser agitado o sacudido y la temperatura comprobada antes de su consumo, para evitar quemaduras.

Los huevos en su cascara y huevos cocidos, no deberían calentarse en el microondas, dado que pueden explotar una vez el microondas ha terminado de calentarlos.

Cuando limpie las superficies de la puerta, área de sellado de la misma, o la cavidad del horno, use solo jabones o detergentes suaves no abrasivos aplicados con una esponja o trapo suave.

El horno debería limpiarse regularmente y los restos de comida retirados.

El no mantenimiento de la limpieza del horno puede llevar al deterioro de la superficie, lo que podría afectar de forma adversa a la vida útil del aparato y posiblemente resultar en una situación de peligro.

Si el cable de suministro de corriente está dañado, debe ser reemplazado por el fabricante, su servicio técnico o un profesional cualificado para evitar riesgo.

INSTRUCCIONES DE SEGURIDAD PARA USO GENERAL

A continuación se listan ciertas reglas y precauciones a seguir, como cualquier electrodoméstico, para asegurar la máxima eficacia de este horno:

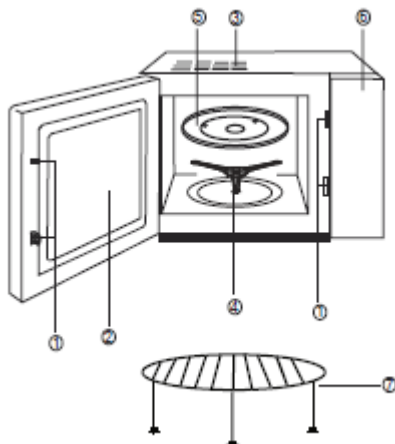
1. Mantenga siempre la bandeja de cristal, los brazos giratorios y el enganche en su posición cuando utilice el horno.
2. No utilice el horno para ningún otro propósito que no sea el de la preparación de comida, como pudieran ser secado de ropa, papeles o cualquier otro producto que no sea de alimentación, o con fines de esterilización.
3. No use el horno estando vacío, podría dañarlo.

4. No utilice la cavidad para ningún tipo de almacenamiento, como de papeles, libros de cocina, etc.
5. No cocine ningún alimento rodeado de una membrana, como yemas de huevo, patatas, hígados de pollo, etc., sin haberlos perforado previamente varias veces con un tenedor.
6. No introduzca ningún objeto en las aperturas de la carcasa.
7. No quite nunca ninguna de las partes del microondas, como los pies, tornillos, enganche del plato giratorio, etc.
8. No cocine comida directamente sobre la bandeja de vidrio. Coloque la comida en un recipiente adecuado antes de introducirla en el horno.
9. **IMPORTANTE: UTENSILIOS DE COCINA QUE NO DEBE UTILIZAR EN SU MICROONDAS:**
 - a. No utilice sartenes, cacerolas o platos metálicos o con asas metálicas.
 - b. No utilice nada que tenga embellecedores metálicos.
 - c. No utilice asas de alambre cubiertas de papel en bolsas de plástico
 - d. No use platos de melanina, dado que contienen un material que absorberá la energía del microondas. Esto puede causar la rotura o deterioro de los platos, y ralentizará la velocidad de calentado.
 - e. No use vajilla Centura. El esmaltado no es apto para uso en microondas. Las Tazas Corelle con el asa cerrada tampoco deberían utilizarse.
 - f. No cocine en un recipiente con la apertura restringida, como botellas de soda o de aceites, dado que podrían explotar si se calientan en un microondas.
 - g. No utilice termómetros convencionales de carne o azúcar. Existen termómetros específicamente diseñados para cocinar en microondas. Estos pueden ser utilizados.
10. Los utensilios de microondas deben ser utilizados de acuerdo con las instrucciones del fabricante.

11. No intente freír alimentos en este horno.
12. Por favor, recuerde que un horno microondas solo calienta el líquido en un recipiente, no el propio recipiente. Por lo tanto, incluso si la cubierta del recipiente no estuviera caliente al tacto al retirarla del horno, por favor, recuerde que el líquido/comida en su interior desprenderá la misma cantidad de vapor al retirarla que cuando se cocina de forma convencional.
13. Siempre compruebe la temperatura de la comida cocinada por usted mismo, especialmente si está calentándolo o cocinándolo para bebés. Es aconsejable nunca tomar los alimentos/líquidos directamente extraídos del horno, y permitirles reposar durante unos minutos, así como removerlos para repartir el calor de forma equitativa.
14. La comida que contenga una mezcla de grasa y agua, como un caldo, debería mantenerse dentro del horno durante 30-60 segundos una vez apagado. Esto permitirá que la mezcla se asiente y evitar el burbujeo cuando la cuchara se coloque en el líquido/comida o se añada un cubito de caldo.
15. Cuando prepare/cocine comida/líquidos recuerde que hay ciertos alimentos, como los pudding, mermeladas o carne picada, que se calientan muy rápidamente. Cuando caliente alimentos con un alto contenido de grasa o de azúcar no utilice recipientes de plástico.
16. El recipiente puede estar caliente debido al calor transferido por la comida calentada. Esto es particularmente de aplicación si un envoltorio de plástico recubre la parte superior y asas del recipiente. Los guantes de cocina pueden ser necesarios para retirar el recipiente.
17. Para reducir el riesgo de fuego en la cavidad del horno:
 - a. No sobre-cocine la comida. Preste atención al microondas si papel, plástico u otros materiales combustibles se han colocado en el horno para facilitar el cocinado.
 - b. Retire las asas de alambre de las bolsas antes de colocarlas en el horno.
 - c. Si los materiales dentro del horno entrasen en ignición,

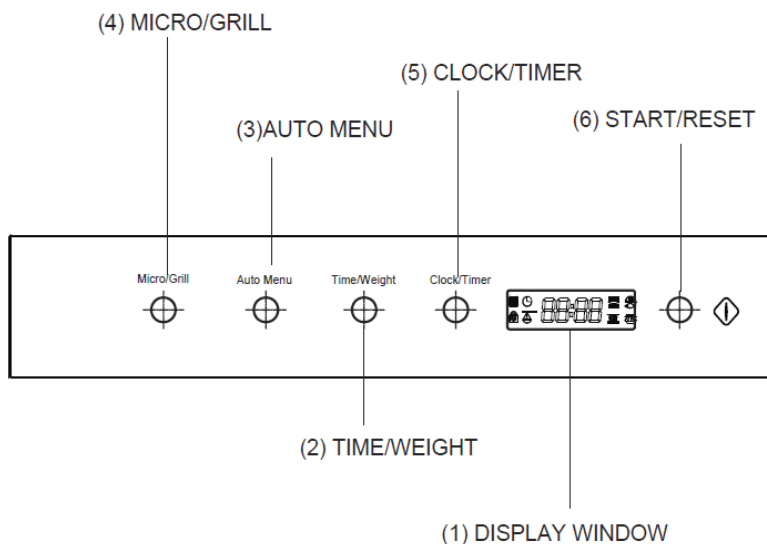
desenchufe el horno o corte la corriente en el contador general.

DIAGRAMA DEL APARATO



- (1) Sistema de cerrado de seguridad de la puerta
- (2) Ventana del horno
- (3) Conductor del aire del horno
- (4) Anillo rotacional
- (5) Bandeja de cristal
- (6) Panel de control
- (7) Rejilla del grill

PANEL DE CONTROL



INSTRUCCIONES DE MANEJO

1. COCINADO SENCILLO

Solo necesita pulsar el botón "START/RESET" para comenzar a cocinar durante un minuto con una potencia P-1 del microondas. Cuando el tiempo de cocinado termine, escuchará cinco pitidos de aviso.

2. COCINADO EN MICROONDAS

A. Método de cocinado rápido

(Por ejemplo: Seleccione potencia P-1 para cocinar alimentos durante 5 minutos).

- Presione el botón "Time/Weight" para fijar el temporizador en 5:00
- Pulse el botón "START/RESET"

B. Control manual

(Por ejemplo: Seleccione potencia P-2 para cocinar alimentos durante 10 minutos)

- a) Pulse el botón “Micro/Grill” para seleccionar la potencia P-2.
- b) Pulse el botón del temporizador para seleccionar el tiempo de cocinado “10:00”
- c) Pulse el botón “START/RESET”.

Puede presionar el botón “MICRO/GRILL” para seleccionar la potencia.

La potencia del microondas tiene 5 niveles, y son P-1, P-2, P-3, P-4 y P-5 de mayor a menor potencia.

3. FUNCIÓN DE AUTO DESCONGELADO

Debe presionar “Time/Weight” en función del peso de la comida. Entonces puede seleccionar el programa de auto descongelado y empezar.

Por ejemplo: para descongelar 400g de comida congelada:

- 1) Pulse el botón “Micro/Grill” para seleccionar la función de descongelado que se mostrará en la pantalla como “dEF”.
- 2) Seleccione el peso “400g” presionando el botón “Time/Weight”.
- 3) Pulse el botón “START/RESET”.

Reseña: el peso máximo es 2 kgs.

4. FUNCIÓN DE COCINADO EN GRILL/COMBINADA

Esta función cuenta con 4 modos, puede elegir su modo favorito presionando el botón “Micro/Grill”.

(El tiempo máximo son 60 minutos)

La potencia del grill una posición y es G-1.

La potencia Combi tiene dos posiciones, C-1 y C-2, de más alto a más bajo.

En función de grill (combinación grill exclusiva), el calentado se pausará automáticamente y sonarán dos pitidos de aviso para que pueda darle la vuelta a la comida a mitad del tiempo del proceso. Cierre la puerta después de haberle

dado la vuelta a la comida, y presione “START/RESET”, y el descongelado se reiniciará. Si no desea darle la vuelta a la comida, el horno continuará funcionando automáticamente tras un minuto de pausa.

5. AUTO-MENU

Solo necesita seleccionar el tipo de comida y el peso, y el microondas le ayudará a ajustar automáticamente la potencia y el tiempo.

Por ejemplo: Auto cocinado de 400g de pescado.

- Presione el botón de “Auto menú” hasta que muestre “A-5” en la pantalla digital.
- Presione el botón “Time/Weight” para fijar el peso en 400g.
- Presione el botón “START/RESET”.

Unidades: g

Nº pulsados	Peso (kg)	Menu					
		A-1 Arroz	A-2 Verdura	A-3 Carne	A-4 Pasta	A-5 Pescado	A-6 Pollo
1		100	100	200	1	100	200
2		200	200	300	2	200	400
3		300	300	400		300	600
4		400	400	500		400	800
5		500	500	600		500	1000
6			600	800		600	1200
7				1000		700	1400
8						800	1600
9						900	1800
10						1000	2000

Nota: La pasta está indicada por lotes. Cada lote es de en torno a 100-150g

6. BLOQUEO DE SEGURIDAD PARA NIÑOS

Cuando el microondas se encuentra en modo de espera o “standby”, para activar el bloqueo de seguridad para niños, presione los botones de “1min” y “10sec” simultáneamente durante 2 segundos. Tras esto, el pulsado de cualquier botón resultará inútil. Si presiona de nuevo los botones “1min” y “10sec” simultáneamente durante 2 segundos se desbloqueará esta función.

7. RELOJ

El microondas tiene un reloj digital de 24 horas.

Para introducir la hora, por ejemplo, las 16:40:

- a) Pulse el botón “Clock/Timer”, la pantalla parpadeará, entonces ajuste la hora con el botón “Time/Weight”.
- b) Pulse el botón “Clock/Timer” de nuevo, ajuste los minutos con el botón “Time/Weight”.
- c) Pulse el botón “Clock/Timer” de nuevo y la hora quedará fijada.
- d) Si quiere modificar la hora, repita el proceso.

8. TEMPORIZADOR

Esta función le permite programar el horno microondas para que empiece a cocinar y termine a una hora preseleccionada.

El reloj debe haber sido puesto en hora previamente.

Ejemplo: Son las 16:30 y quiere que el microondas se encienda a las 18:15 con una potencia P-2 durante 10 minutos:

- a) Pulse el botón “Clock/Timer” e introduzca la hora de comienzo, las 18:15, presionando el botón “Time/Weight”, igual que para fijar la hora del reloj.
- b) Pulse el botón “Micro/Grill” para seleccionar la potencia P-2.
- c) Seleccione el tiempo de cocinado: 10 minutos.
- d) Pulse el botón “START/RESET”.

Si no selecciona una potencia y tiempo de cocinado, y pulsa directamente el botón “START/RESET” una vez programada la hora, el electrodoméstico solo funcionará como reloj.

A las 18:15 se producirán 10 pitidos y el aparato se apagará.

9. PAUSA Y CANCELACIÓN

- 1) Estado de puerta abierta:



Presione el botón “START/RESET” para cancelar la selección del programa de cocinado.

2) Estado de puerta cerrada:

Presione el botón “START/RESET” para empezar a cocinar una vez seleccionado el programa.

Presione el botón “START/RESET” para continuar cocinando cuando el proceso se encuentra en estado de pausa.

Presione el botón “START/RESET” para detener el cocinado cuando el microondas está en marcha.

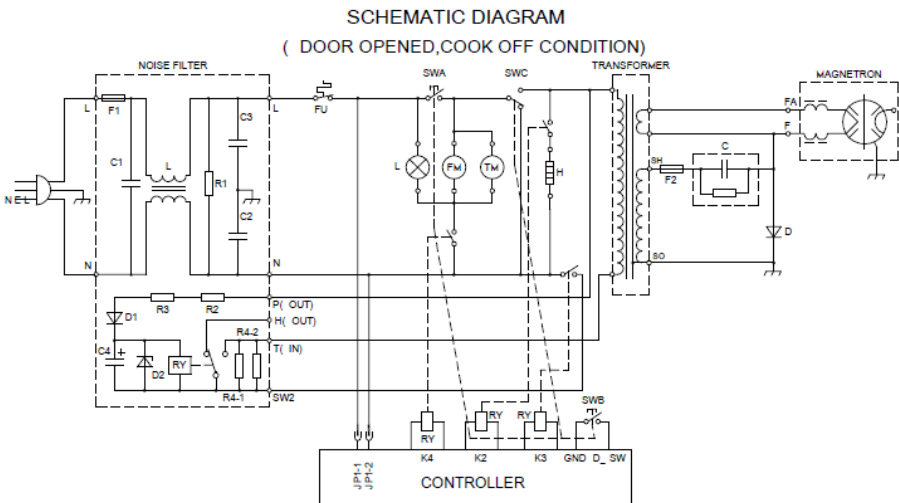
EL CIUDADO DE SU MICROONDAS

1. Apague el Microondas y desenchúfelo antes de limpiarlo.
2. Mantenga el interior del horno limpio. Cuando los restos de comida o los líquidos derramados se adhieren a las paredes del horno, límpielos con un paño húmedo. El uso de detergentes duros o abrasivos no está aconsejado.
3. La superficie exterior del horno debería limpiarse con un paño húmedo. Para evitar el daño de las partes operativas en el interior del horno, debe evitarse que entre agua por las aperturas de ventilación.
4. No deje que el panel de control se moje. Límpielo con un paño suave húmedo. No utilice detergentes, abrasivos o limpiadores de spray en el panel de control.
5. Si el vapor se acumula dentro o en torno al exterior de la puerta del horno, límpielo pasando un paño suave. Esto puede suceder cuando el horno microondas se utiliza en condiciones de alta humedad, y en ningún caso es indicativo de un fallo del aparato.
6. Ocasionalmente es necesario extraer la bandeja de cristal para su limpiado. Lave la bandeja con agua jabonosa o en el lavavajillas.

7. El anillo de rotación y el fondo de la cavidad del horno deberían limpiarse regularmente para evitar un ruido excesivo. Simplemente pase un trapo por la superficie de dicho fondo del horno con un detergente moderado, agua o limpiacristales, y séquelo. El anillo de rotación puede ser lavado en agua jabonosa o en el lavavajillas. Durante el uso repetido se acumula vapor, que de ningún modo afecta a la superficie del fondo o a las ruedas del anillo de rotación.

Cuando retire el anillo de rotación del fondo de la cavidad para su limpiado, asegúrese de volver a colocarlo en la posición adecuada.

8. Elimine los olores del horno combinando una taza de agua con el jugo y la cáscara de un limón en un tazón hondo apto para microondas. Haga funcionar el microondas con ello dentro durante 5 minutos, después pase un paño, y seque con un trapo suave.
9. Cuando sea necesario sustituir la bombilla del horno, por favor, consulte con un agente para que se la cambien.



SWA: PRIMARY INTERLOCK SWITCH
SWB: SECONDARY INTERLOCK SWITCH
SWC: THE MONITOR INTERLOCK SWITCH

L: LAMP
FM: FAN MOTOR
TM: TURNTABLE MOTOR
H: HEATER

*CIRCUIT SUBJECT TO CHANGE WITHOUT NOTICE

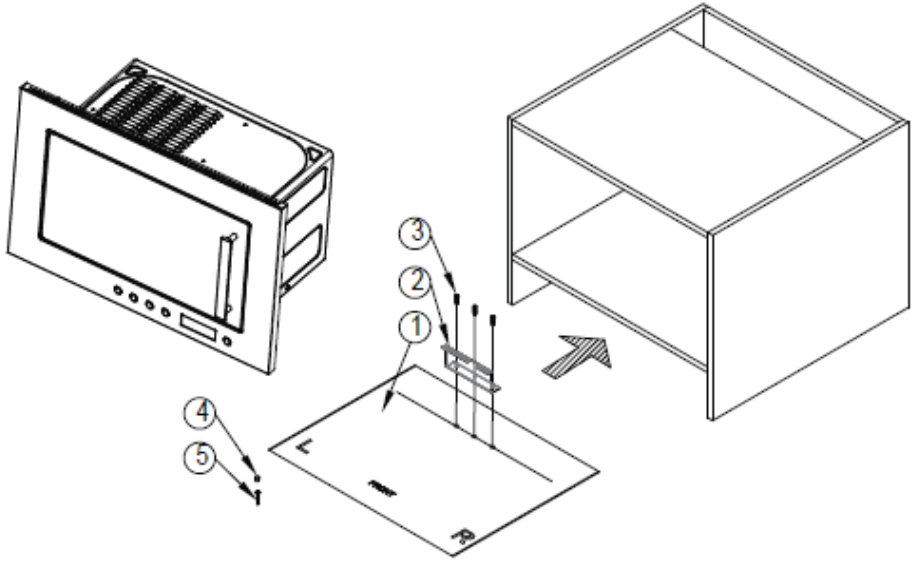


"ELIMINACIÓN DE RESIDUOS DE EQUIPOS ELÉCTRICOS Y ELECTRÓNICOS POR PARTE DE USUARIOS PARTICULARES EN LA UNIÓN EUROPEA"

Según la directiva de Residuos de Aparatos Eléctricos y Electrónicos (RAEE), los residuos AEE han de recogerse y tratarse por separado. Si en un futuro necesita desprenderse de este producto NO lo ponga en los

residuos domésticos, envíelo a los puntos de recogida de residuos existentes en su área. De igual manera debe extraer los residuos de pilas y/o acumuladores antes de la entrega del RAEE a través de los canales de recogida separada habilitados al efecto (distribuidores y/o instalaciones de las Entidades Locales)

MANUAL DE INSTALACIÓN DEL MICROONDAS ENCASTRADO



COMPONENTES

- | | |
|--------------------------|----------|
| 1. Plantilla de plástico | 1 PIEZA |
| 2. Orientación | 1 PIEZA |
| 3. Tornillos Ø4x10 | 3 PIEZAS |
| 4. Embellecedor | 1 PIEZA |
| 5. Tornillo Ø4x35 | 1 PIEZA |

ESPECIFICACIONES DE MONTAJE

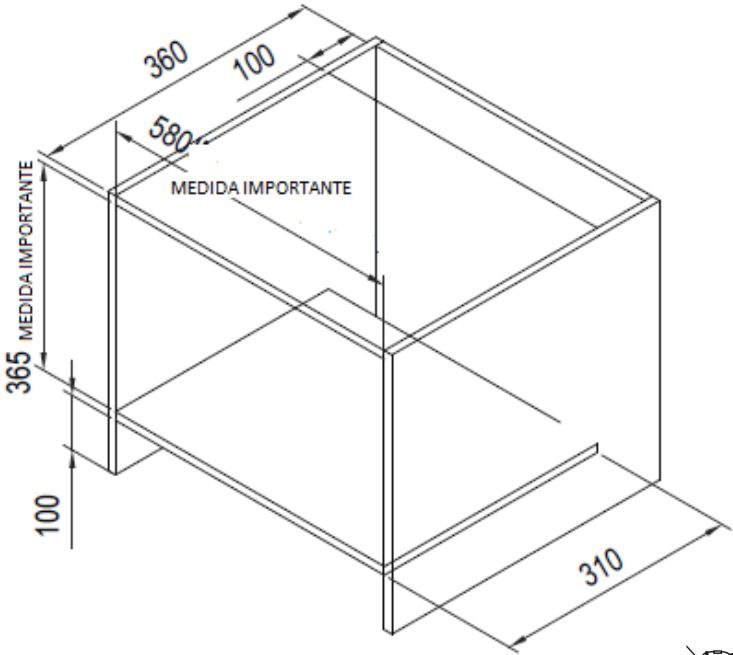
Dimensiones de la cavidad

Ancho: 580mm
Alto: 365mm
Profundidad: 360mm

Dimensiones del marco:

Ancho: 592mm
Alto: 376mm
Profundidad: 20mm

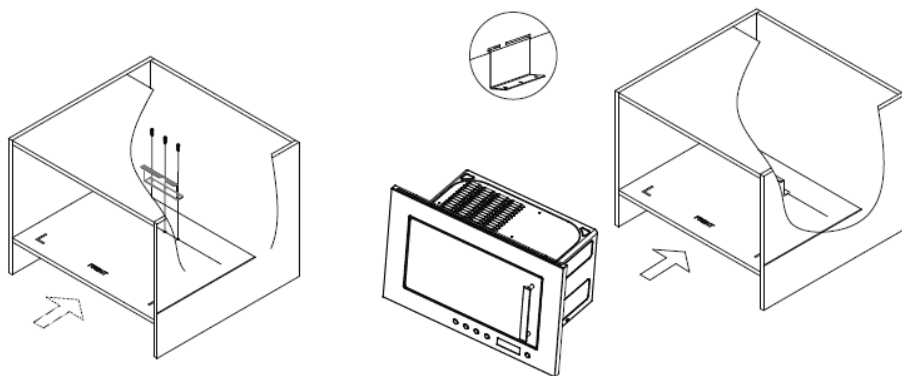
EBANISTERÍA DEL HORNO MICROONDAS



Medidas requeridas del armario (ver ilustración arriba)

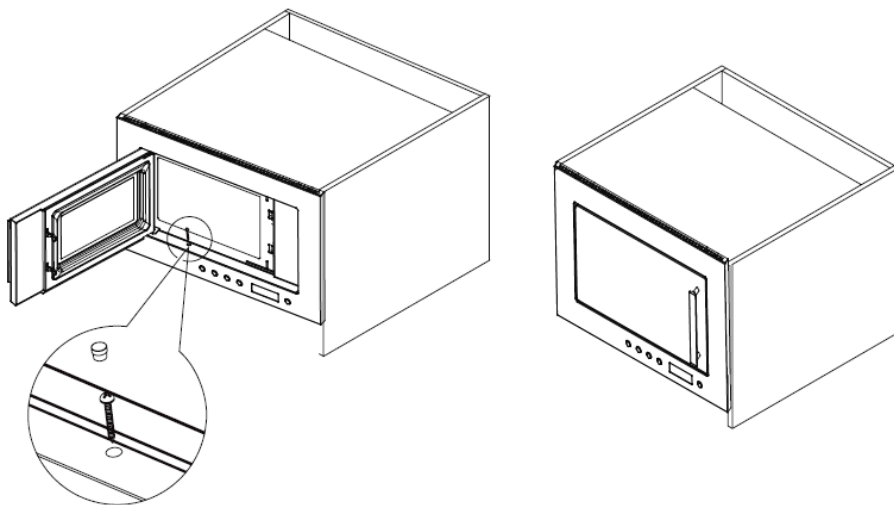
1. La medida transversal interior del armario es 580mm. Esta es la distancia mínima del listón izquierdo al derecho. No alterar.
2. La medida longitudinal interior del armario es 365mm. Esta es la distancia mínima del listón izquierdo al derecho. No alterar.
3. La profundidad del armario no debería ser inferior a 360mm.
4. La medida exterior del armario no debería ser inferior a 596mm, dado que la longitud del marco es de 592mm.
5. El tablero del armario es de menos de 15 o 20mm de grosor.

INSTRUCCIONES DE ENCASTRADO



1. El armario debe estar acabado conforme a las dimensiones indicadas en el apartado anterior. Coloque la plantilla de montaje de plástico (componente 1) en la tabla del fondo de la cavidad del armario. Mantenga el borde frontal del papel y el borde exterior del armario alineados. Entonces ponga el orientador (componente 2) en el papel y ajuste sus agujeros conforme a la posición de los mismos en el dibujo. Fije el tornillo (componente 3).
2. Coloque el horno microondas en el armario y manténgalo en posición y dirección horizontal, manteniendo la distancia al borde en los dos lados igual. Entonces fije la orientación en la

parte trasera del horno microondas.



3. Abra el horno microondas, fije el tornillo (componente 5) y empújelo dentro del armario, entonces instale el embellecedor del tornillo (componente 4).

DECLARACIÓN DE CONFORMIDAD

NEVIR, S.A. declara bajo su responsabilidad que el aparato indicado cumple los requisitos de las siguientes directivas:

DIRECTIVA EMC

LOW VOLTAGE DIRECTIVA EEC

EMC:2014/30/EU

LVD:2014/35/EU

**Descripciones del aparato: Microondas de 20 Litros con Pantalla digital
Marco de Encastre y Grill**

Modelo NEVIR: NVR-6137MEDGS

Importador:NEVIR, S.A.

**Dirección del importador: NEVIR, S.A.
C/ Canteros, 14
Parque Empresarial Puerta de Madrid
28830 San Fernando de Henares, Madrid**