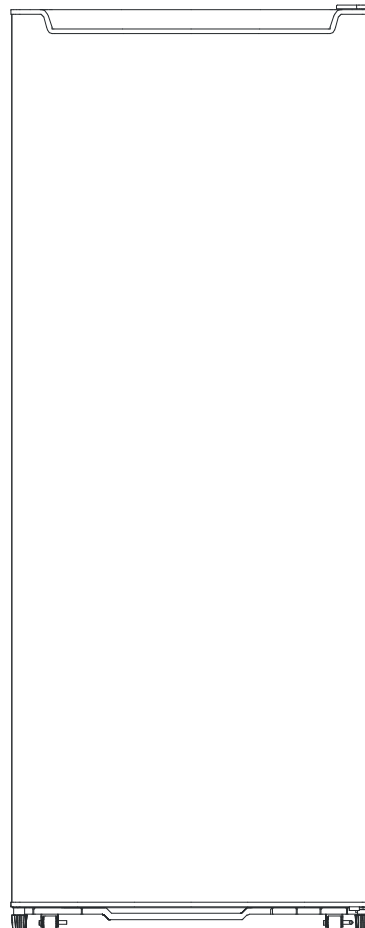


# NEKIR

## OPERATING INSTRUCTIONS

**Model:** NVR-5202 NSD



To ensure proper use of this appliance and your safety, please read the following instructions completely before operating this appliance.



**Dear customer:**

Thank you for buying your new refrigerator. To ensure that you get the best results from your new refrigerator, please take time to read through these simple instructions in this booklet.

Please ensure that the packaging material is disposed of in accordance with the current environmental requirements.

If the refrigerator is visibly damaged, do not connect it to the power supply, Contact the store from where you purchased the appliance.

**CONTENTS**

IMPORTANT SAFETY INSTRUCTIONS.....2

INSTALLATION.....4

    Positioning.....4

    Electrical connection.....4

NAMES OF THE PARTS.....5

OPERATION AND MAINTENANCE.....6

TROUBLESHOOTING.....7

CHANGING THE REVERSIBLE DOOR.....8

HOW TO DISPOSE OF THE PACKING MATERIAL.....8

Weee .....8

CIRCUIT DIAGRAM.....9

TECHNICAL INFORMATION.....9



## IMPORTANT SAFETY INSTRUCTIONS



To reduce the risk of fire, electrical shock, or injury follow these basic precautions when using your refrigerator.

- 1) **WARNING**----Keep ventilation openings, in the appliance enclosure or in the built-in structure, clear of obstruction.
- 2) **WARNING**----Do not use mechanical devices or other means to accelerate the defrosting process, other than those recommended by the manufacturer.
- 3) **WARNING**----Do not damage the refrigerant circuit to increase the risk of a leak when handle, move, clean and use of refrigerator.
- 4) **WARNING**----Do not use electrical appliances inside the food storage compartments of the appliances, unless they are of the type recommended by the manufacturer.
- 5) **WARNING**----**DANGER:** Never allow children to play with, operate, or crawl inside the refrigerator. Risk of child entrapment. Before you throw away your old refrigerator or freezer:
  - Take off the doors
  - Leave the shelves in place so that children may not easily climb inside.
- 6) The appliance has to be unplugged before carrying out user maintenance on the appliance.
- 7) This appliance is not intended for use by persons (including children) with reduced physical, sensory or mental capabilities, or lack of experience and knowledge, unless they have been given supervision or instruction concerning use of the appliance by a person responsible for their safety. Children should be supervised to ensure that they do not play with the appliance. Cleaning and maintenance should not be made by children without supervision.
- 8) If the SUPPLY CORD is damaged, it must be replaced by the manufacturer, its service agent or similar qualified persons in order to avoid a hazard.
- 9) Please abandon the refrigerator according to local regulations as the unit contains flammable blowing gas and refrigerant.
- 10) Follow local regulations regarding disposal of the appliance due to flammable refrigerant and blowing gas. All refrigeration products contain refrigerants, which under the guidelines of federal law must be removed before disposal. It is the consumer's responsibility to comply with federal and local regulations when disposing of this product.
- 11) This appliance is intended to be used in household and similar environments; such as:
  - staffkitchen areas in shops, offices and other working environments;
  - farm houses and by clients in hotels, motels and other residential type environments;
  - bed and breakfast type environments;
  - catering and similar non-retail applications.
- 12) Do not store or use gasoline or any inflammable liquors and liquids inside or in the vicinity of refrigerator.
- 13) Do not use extension cords or ungrounded (two prong) adapters with this appliance. If the power cord is too short, have a qualified electrician install an outlet near the appliance. Use of an extension can negatively affect the performance of this appliance.



14) Do not store explosive substances such as aerosol cans with a flammable propellant in this appliance.

Warning: This appliance can not be used in camping.

Warning: This appliance can not be used in public transportations.

Warning: The appliance shall be used for indoor only.

- The refrigerant and insulation blowing gas are flammable. When disposing of the appliance, do so only at an authorized waste disposal centre. Do not expose to flame.
- Cleaning and user maintenance shall not be made by children without supervision.

Refrigerant

The refrigerant isobutene (R600a) is contained within the refrigerant circuit of the appliance, a natural gas with a high level of environmental compatibility, which is nevertheless flammable. During transportation and installation of the appliance, ensure that none of the components of the refrigerant circuit becomes damaged.



Warning; Risk of fire/flammable materials

If the refrigerant circuits become damaged:

- Avoid open flames and sources of ignition.
- Thoroughly ventilate the room in which the appliance is situated.

## **BEFORE PUTTING INTO USE**

- Before connecting the appliance to the power supply, let it stand for about 2 hours, which will reduce a possibility of malfunctions in the cooling system due to transport handling.
- Clean the appliance, and be thorough, especially in the interior (See “HOW TO CLEAN”).
- In case the interior accessories are not correctly placed, rearrange them as described in chapter “NAME OF THE PARTS”.

### **Instructions for Use**

These instructions for use are intended for the user. They describe the appliance and its correct and safe use. They were prepared for various types/models of fridges therefore you may find in it description of some functions and accessories that your appliance does not have.

## **TIPS FOR ENERGY SAVING**

- Try not to open the door too often, especially when the weather is wet and hot. Once you open the door, mind to close it as soon as possible.
- Every now and then check if the appliance is sufficiently ventilated (adequate air circulation around the appliance).
- Set thermostat from higher to lower settings as soon as possible (depends on how loaded the appliance is ambient temperature etc).
- Before loading the appliance with packages of fresh foods, make sure they are cooled to



ambient temperature.

## IMPORTANT

- **DANGER:** Risk of child entrapment. Before you throw away your old fridge:  
Take off the doors.  
Leave the shelves in place so that children may not easily climb inside.
- The appliance must be correctly connected to the power supply. (See: “HOW TO INSTALL”).
- Do not use an extension cords or ungrounded (two prong) adapters.
- Do not touch the cooled surfaces while the appliance operates, especially not with wet hands, because the skin may stick to the cold surfaces.
- If the food has strange smell or color, throw it away, because it is very likely that it is spoiled and therefore dangerous to eat.
- Disconnect the appliance from the power supply before repairing it (only a qualified technician should repair it), before cleaning.
- The rating plate is inside the appliance or outside on the rear wall.

## INSTALLATION

### Positioning

Position the appliance away from heat sources such as stoves, radiators, direct sunlight etc.

Before connect the power supply, remove the supporting base and then screw down the front foot of appliance correctly to make it leveled correctly.

This appliance is suitable in ‘N,ST’ climate.

Climate Class	Ambient Temperature
N,ST	From +16°C to +38°C

Appliances must not be exposed to rain. Sufficient air must be allowed to circulate in the lower rear section of appliances, as poor air circulation can affect performance. Built-in appliances should be positioned away from heat sources such as heaters and radiators and out of direct sunlight. Behind the appliance there should be a free space of at least 3in. Kitchen units (e.g. cupboards) should be at least 2in. away from the appliance in order to assure adequate ventilation. There should be 4in. between both sides of the appliance and other obstacles.

### Electrical connection

Before connecting the appliance to the power supply, ensure that the voltage and frequency as indicated on the data plate correspond to those of the electrical mains.

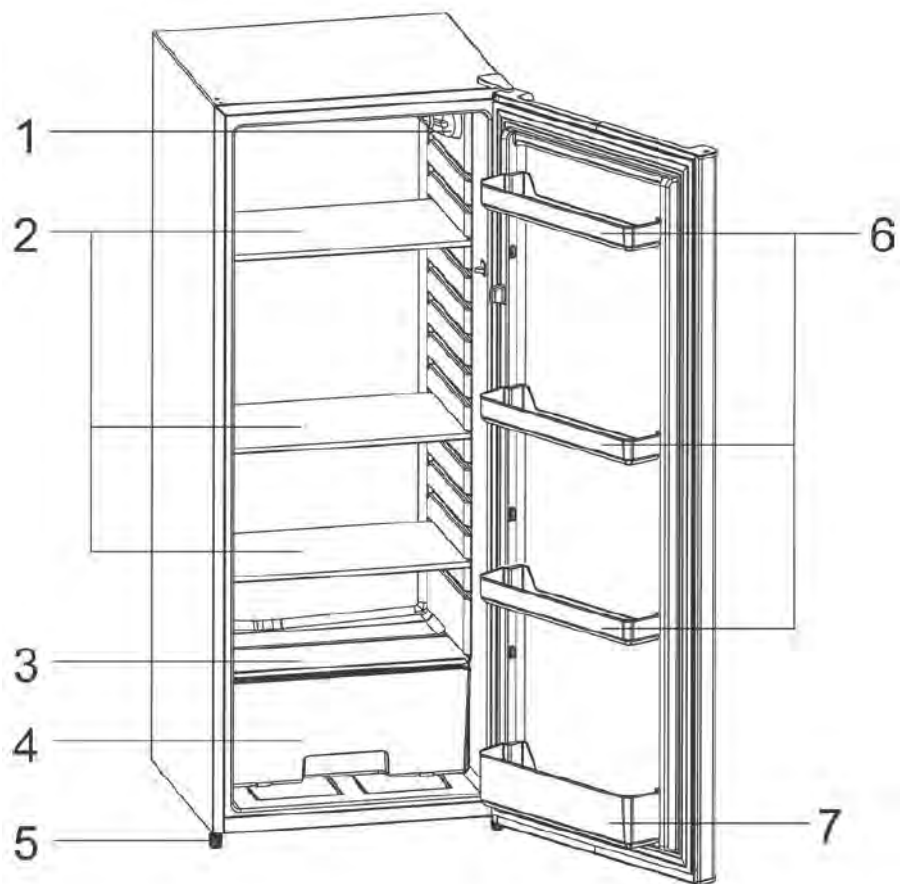
A deviation of -6% to +6% is admissible with respect to the rated voltage. For operation with other voltage supplies, an adequately powered auto-transformer is required.

Always connect the appliance to an efficient earthing system.

Put the appliance in upright position for at least 2 hours before switching it on.



## NAMES OF THE PARTS



1. Temperature Control Box
2. Shelves
3. Crisper cover
4. Crisper
5. Adjustable foot
6. Pockets for small bottles
7. Pocket for big bottles

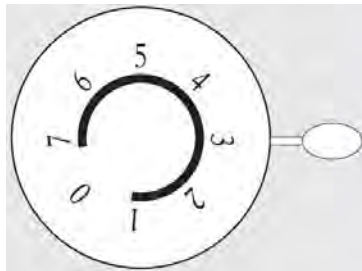
## HOW TO OPERATE

### Starting Your New Fridge

1. Clean the fridge thoroughly. Wipe the outside with a soft dry cloth, the interior with a clean moist cloth.
2. Insert the power supply cord into the socket.
3. Turn the thermostat dial to “7”. Close the door and let the fridge operate for 15-20 minutes.

### Temperature Control

To control the internal temperature, adjust the thermostat dial. “1” is the warmest setting. “7” is the coldest. The Dial may be set any place on the scale. It does not have to be set exactly on a number.



**Note:** Wait 3-5 minutes before restarting if you unplug the fridge.  
The unit may fail to operate properly if restarted too quickly.

### Bulb replacing

1. Switch off the refrigerator and pull out power cord from wall socket. Wait some minutes till the bulb becomes cold.
2. Remove the lamp shield by removing a screw that fixing the shield.
3. Screw out the old bulb and replace a new bulb (Max. 10W)
4. Reinstall the lamp shield and fix it by the screw previously removed.

## HOW TO CLEAN

**Cleaners:** Never use harsh, abrasive cleaners, heavy-duty cleaners, or solvents on any surface.

**Exterior:** Wipe with damp, sudsy cloth, rinse and dry. For stubborn stains and for periodic waxing, use silicon wax.

**Interior:** Wash shelves and other removable parts in warm sudsy water, rinse and dry. Wash interior with baking soda solution (3 tablespoons to 1 liter of water) or warm sudsy water, rinse and dry.

**Magnetic Door Seals:** Wash with warm sudsy water.

**The Finishing Touch:** Replace all parts and return thermostat dial to desired setting.

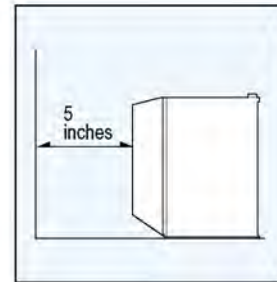


## HOW TO INSTALL

Install fridge in a convenient location away from extreme heat and cold. Allow sufficient clearance between the fridge and side wall so the door will open without obstruction. Fridge is not designed for recessed installation.

Select a space with strong level floor.

Allow 5 inches of space between the fridge's side and the wall.  
The appliance must be correctly connected to the power



wall.  
supply.

replaced

## POWER CORD REPLACEMENT

If the refrigerator's power cord is damaged, have it replaced by a qualified repair agent.

## WHAT TO DO ...

### When the fridge is not in use for a prolonged period:

- Remove the power plug from the power point.
- Remove all contents from the fridge.
- Dry the interior and leave the door open for a few days.

### When you wish to move the fridge:

- Secure all movable parts and contents. (Package them separately if necessary.)
- Transport the fridge only in an upright position. In any other position you may damage the compressor.

Before calling service, please follow the checklist below.

This may save you an expensive service call.

### If the fridge seems too warm inside:

- Check that the door has not been opened too frequently or for long.
- Check that the interior circulation is not obstructed by having too many goods stored. (The fridge is overloaded)
- Did you store anything hot, without first cooling it to room temperature?
- Is there sufficient clearance around all sides and above the fridge?

### If the fridge starts making any unusual noises:

- Is it wobbling? Re-level it and check if it now operates normally.
- Have any objects fallen behind the fridge? If so, remove them and check if operation is now normal.
- Are any containers inside the fridge vibrating or resonating? If so, rearrange them then check to see if operation has returned to normal.



## CHANGING THE REVERSIBLE DOOR

**CAUTION: To avoid personal injury to yourself and/or property, we recommend someone assist you during the door reversal process.**

1. Remove top hinge cover;
2. Remove top hinge by removing the two screws;
3. Remove the refrigerator door by lifting off of the bottom hinge;
4. Tilt the cabinet backwards to remove bottom hinge and two adjustable feet.
5. Reinstall the bottom hinge to the opposite side, and two adjustable feet as well.
6. Reinstall the refrigerator door on the bottom hinge by putting the hinge hole of the opposite side onto the hinge pin;
7. Remove a button covering the hinge hole on the upper doorframe of refrigerator door;
8. Insert hinge pin of top hinge into the hole and then fix the hinge to the cabinet with screws.
9. Place the top hinge cover on.

The process is now complete.

## HOW TO DISPOSE OF THE PACKING MATERIAL

The packing material is recyclable.

The following procedure is recommended:

- dispose of paper, card and carton in the relative containers;
- dispose of plastics in the relative containers.
- If you have no recycling bins in your area then you can put this material in the ordinary bins and/or take it to the appropriate collection centers.

Type X attachment with specially prepared cord-Damaged supply cords must be replaced by a special cord assembly available from the manufacturer or its service agent.

Type Y attachment- Damaged supply cords to be replaced by the manufacturer, service agent or similarly qualified person to avoid hazard.

Type Z attachment-Damaged supply cord cannot be replaced and the appliance should be scrapped.

## WEEE

**DISPOSAL:** Do not dispose this product as unsorted municipal waste. Collection of such waste separately for special treatment is necessary.

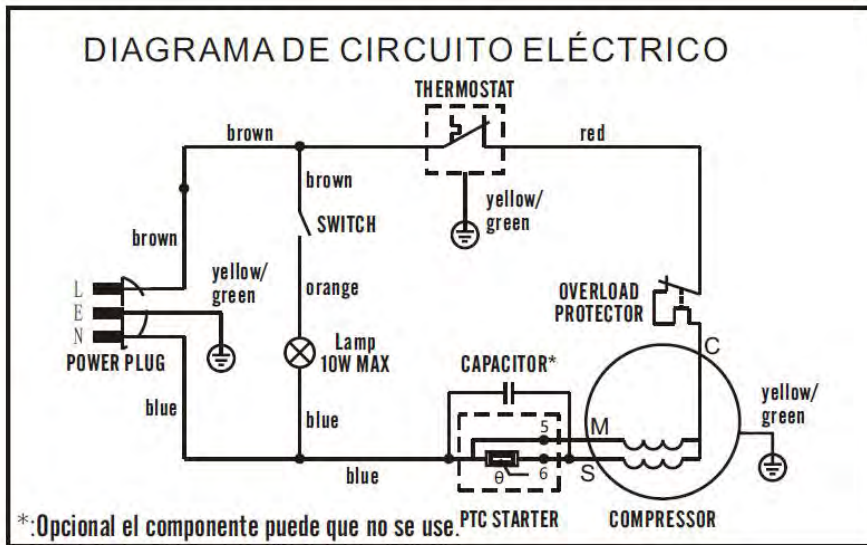
Meaning of crossed-out wheeled dustbin: Do not dispose of electrical appliances as unsorted municipal waste, use separate collection facilities.

Contact you local government for information regarding the collection systems available.

If electrical appliances are disposed of in landfills or dumps, hazardous substances can leak into the groundwater and get into the food chain, damaging your health and well-being.



## CIRCUIT DIAGRAM



## TECHNICAL INFORMATION

Modelo	NVR-5202 NSD
Gross volume	245L
Storage volume	240L
Climatic class	N, ST
Refrigerant	R600a
Amount	32g
Rated voltage	220-240V~
Rated frequency	50Hz
Rated current	1A
Protection class	I
Net weight	41kg
Blowing gas	Cyclopentane



# DECLARATION OF CONFORMITY

**NEVIR, S.A.** declara bajo su responsabilidad que el aparato indicado cumple los requisitos de las siguientes directivas:

<b>CE DIRECTIVES</b>
----------------------

<b>LVD</b>	<b>2014/35/EU 2014/35/UE UNE-EN 60335-2-24/A1:2019+A2:2019</b>
<b>EMC</b>	<b>2014/30/EU 2014/30/UE</b>
<b>ERP</b>	<b>2009/125/EC 2009/125/CE</b>
<b>ROHS</b>	<b>2011/65/EU 2011/65/UE</b>

Descripciones del aparato: **REFRIGERADOR ONE DOOR**  
Modelo NEVIR: **NVR-5202 NSD**

Importador: **NEVIR, S.A.**

Dirección del importador:

**NEVIR, S.A.**

C/ Canteros, 14

Parque Empresarial Puerta de Madrid

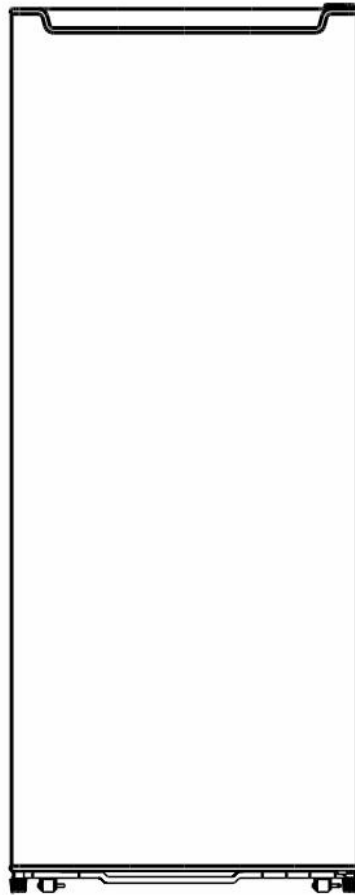
28830 San Fernando de Henares, Madrid



# NEVIR

## MANUAL DE INSTRUCCIONES

NVR-5202 NSD



**Para garantizar el uso adecuado de este aparato y su seguridad, lea completamente las siguientes instrucciones antes de utilizarlo.**

## Estimado cliente:

Gracias por comprar nuestro producto. Para asegurar que obtenga los mejores resultados, por favor, tómese el tiempo que precise para leer estas sencillas instrucciones.

Por favor, asegúrese de que el material de embalaje se elimina de acuerdo con los requisitos ambientales actuales.

Si la unidad está visiblemente dañada, no la conecte a la fuente de alimentación y póngase en contacto con la tienda donde compró el aparato.

## CONTENIDO

INSTRUCCIONES IMPORTANTES DE SEGURIDAD .....	2
INSTALACIÓN .....	6
NOMBRES DE LAS PIEZAS .....	7
OPERACIÓN Y MANTENIMIENTO .....	8
SOLUCIÓN DE PROBLEMAS .....	9
CÓMO DESECHAR EL MATERIAL DE EMBALAJE .....	11
RECICLAJE .....	11
DIAGRAMA DE CIRCUITO.....	12
INFORMACIÓN TÉCNICA.....	12



## INSTRUCCIONES IMPORTANTES DE SEGURIDAD



Para reducir el riesgo de incendio, descarga eléctrica o lesiones, siga estas precauciones básicas al usar su refrigerador.

- 1) **ADVERTENCIA** ---- Mantenga las aberturas de ventilación, dentro de la carcasa del aparato o en la estructura incorporada, sin obstrucciones.
- 2) **ADVERTENCIA** ---- No utilice dispositivos mecánicos u otros medios para acelerar el proceso de descongelación, que no sean los recomendados por el fabricante.
- 3) **ADVERTENCIA** ---- No dañe el circuito de refrigerante para aumentar el riesgo de fugas cuando manipule, mueva, limpie y use el refrigerador.
- 4) **ADVERTENCIA** ---- No use aparatos eléctricos dentro de los compartimientos de almacenamiento de alimentos de los electrodomésticos, a menos que sean del tipo recomendado por el fabricante.
- 5) **ADVERTENCIA** ---- **PELIGRO:** Nunca permita que los niños jueguen, operen o se arrastren dentro de la unidad. Riesgo de atrapamiento infantil. Antes de tirar su viejo refrigerador o congelador:
  - Quite las puertas para evitar que queden atrapados dentro.
  - Quite los estantes en su lugar para que los niños no puedan trepar fácilmente.
- 6) El aparato debe desenchufarse antes de llevar a cabo el mantenimiento por parte del usuario.
- 7) Este dispositivo no está destinado a ser utilizado por personas (incluidos niños) con capacidades físicas, sensoriales o mentales reducidas, o por falta de experiencia y conocimiento, a menos que hayan sido supervisados o instruidos sobre el uso del dispositivo por parte de una persona responsable de su la seguridad. Los niños deben ser supervisados para asegurarse de que no jueguen con el aparato. La limpieza y el mantenimiento no deben ser realizados por niños sin supervisión.
- 8) Si el CABLE DE SUMINISTRO está dañado, debe ser reemplazado por el fabricante, su agente de servicio o personas calificadas similares para evitar un peligro.
- 9) Por favor, deseche el producto de acuerdo con las regulaciones locales, ya que la unidad contiene gas inflamable y refrigerante.
- 10) Siga las regulaciones locales sobre el desecho del aparato debido al refrigerante inflamable y al gas de soplado. Todos los productos de refrigeración contienen refrigerantes, los cuales, según las normas de la ley federal, deben eliminarse antes de su eliminación. Es responsabilidad del consumidor cumplir con las regulaciones federales y locales al desechar este producto.
- 11) Este aparato está diseñado para ser utilizado para USO DOMÉSTICO y similares como:
  - Áreas de cocina del personal en tiendas, oficinas y otros entornos de trabajo.
  - Casas rurales y por clientes en hoteles, moteles y otros entornos de tipo residencial.
  - Ambientes tipo cama y desayuno.



**12)** No almacene o use gasolina o cualquier licor o líquido inflamable dentro o cerca del congelador.

**13)** No utilice cables de extensión o adaptadores sin conexión a tierra (dos clavijas) con este dispositivo. Si el cable de alimentación es demasiado corto, haga que un electricista calificado instale un tomacorriente cerca del electrodoméstico. El uso de una extensión puede afectar negativamente el rendimiento de la unidad.

**14)** No almacene sustancias explosivas como latas de aerosol con un propelente inflamable en este aparato.



### **Precaución riesgo de incendio**

## **ANTES DE PONER EN USO**

- Antes de conectar el aparato a la fuente de alimentación, déjelo reposar durante aproximadamente 2 horas, lo que reducirá la posibilidad de que el sistema de refrigeración funcione mal debido a la manipulación del transporte.
- Limpie el aparato y sea cuidadoso, especialmente en el interior (consulte "CÓMO LIMPIAR").
- En caso de que los accesorios interiores no estén colocados correctamente, reorganícelos como se describe en el capítulo "NOMBRE DE LAS PARTES".

### **Instrucciones de uso**

- Estas instrucciones de uso están destinadas al usuario. Describen el aparato y su uso correcto y seguro. Fueron preparados para varios tipos / modelos de frigoríficos/congeladores, por lo que puede encontrar una descripción de algunas funciones y accesorios que su electrodoméstico no tiene.

## **EXCLUSIONES DE GARANTÍA:**

El coste de la reparación será a cargo del usuario en los siguientes casos:

- Aparato utilizado para uso profesional o no exclusivamente doméstico, en establecimientos públicos, industriales o comerciales.
- Materiales desmontados o manipulados por personas ajenas a los servicios técnicos autorizados.
- Instalaciones, transporte, sustitución de aparatos, puestas en marcha, cambio de sentido de puertas.
- Intervenciones de mantenimiento o de información sobre el uso de los aparatos.
- Cambio de inyectores en aparatos de gas.

- Las averías provocadas por falta de mantenimiento y limpieza o las provocadas por un uso indebido, sobrecarga, abandono o de manera no conforme a las instrucciones de uso o de instalación de los aparatos.
- Averías provocadas por causas fortuitas, siniestros de fuerza mayor o derivados de instalación incorrecta, en general, averías por causas ajenas al aparato.
- Las averías provocadas por conexiones que puedan presentar fluctuaciones, irregularidades o falta de uniformidad en el suministro, por ejemplo: suministro de agua impulsado por grupos de presión, energía solar, eólica, generadores eléctricos u otro tipo de suministro no normalizado.
- Los materiales rotos o deteriorados por desgaste o uso normal del aparato tales como juntas, plásticos, gomas, correas, cristales, bombillas, asas, tiradores, tapas de quemadores, filtros, rejillas, etc.
- Aparatos que presenten oxidación o daños por corrosión en esmaltes o pinturas o causados por efectos químicos o electroquímicos del agua o por contacto con sustancias inapropiadas o debido a condiciones ambientales anómalas
- Defectos estéticos en serigrafía o pintura.
- Los daños de transporte o manipulación, golpes, etc.
- Los aparatos deben instalarse de forma accesible para su reparación, debiendo asumir el usuario los costes necesarios para el acceso al aparato para su preparación y sustitución.

## CONSEJOS PARA AHORRAR ENERGÍA

- Trate de no abrir la puerta con demasiada frecuencia, especialmente cuando el clima es húmedo y caluroso. Una vez que abres la puerta, recuerda cerrarla lo antes posible.
- De vez en cuando, verifique si el aparato está suficientemente ventilado (circulación de aire adecuada alrededor del mismo).
- Ajuste el termostato de mayor a menor configuración tan pronto como sea posible (depende de la carga del aparato a la temperatura ambiente, etc.).
- Antes de cargar el aparato con paquetes de alimentos frescos, asegúrese de que estén fríos a temperatura ambiente.

NO se debe de exceder en el volumen de almacenaje recomendado.

Es mejor organizar la comida cuando se almacena para evitar la contaminación cruzada.

Algunos tipos de frutas y verduras son sensibles al frío; por lo tanto, no son aptos para el almacenamiento en compartimentos fríos.



## IMPORTANTE

- **PELIGRO** Riesgo de atrapamiento infantil. Antes de tirar su vieja nevera, quite las puertas.
- Deje los estantes en su lugar para que los niños no puedan entrar fácilmente.
- El aparato debe estar correctamente conectado a la fuente de alimentación. (Ver: "COMO INSTALAR").
- No utilice cables de extensión o adaptadores sin conexión a tierra (dos clavijas).
- No toque las superficies enfriadas mientras el aparato funciona, especialmente con las manos mojadas, ya que la piel puede adherirse a las superficies frías.
- Si el alimento tiene un olor o color extraño, deséchelo, porque es muy probable que esté estropeado y, por lo tanto, sea peligroso para comer.
- Desconecte el aparato de la fuente de alimentación antes de repararlo (solo un técnico calificado debe repararlo), antes de limpiarlo.
- La placa de características del producto está situada bien dentro de la unidad o en su parte trasera.

## INSTALACIÓN

### POSICIONAMIENTO

Coloque el aparato alejado de fuentes de calor como estufas, radiadores, luz solar directa, etc.

Antes de conectar la Fuente de alimentación, retire la base de soporte y luego atornille el pie delantero del aparato correctamente para nivelarlo correctamente.

Este aparato es adecuado en Clase climática N y ST

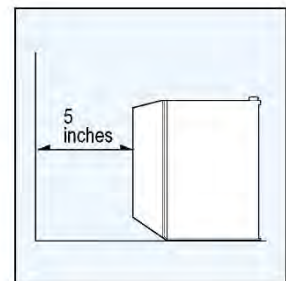
Clase Climática	Temperatura ambiental
N, ST	de +16°C a +38°C

### CÓMO INSTALAR

Instale la nevera en un lugar conveniente, lejos del calor y el frío extremos. Deje suficiente espacio entre el refrigerador y la pared lateral para que la puerta se abra sin obstrucciones. La nevera no está diseñada para la instalación empotrada.

Seleccione un espacio con suelo de nivel fuerte.

Se recomienda dejar 5 pulgadas (13 CM) de espacio entre el costado del refrigerador y la pared, 5 cm en la parte superior y 5 cm a cada lado. Una buena ventilación siempre favorece el mejor rendimiento del electrodoméstico.



El aparato debe estar correctamente conectado a la fuente de alimentación.

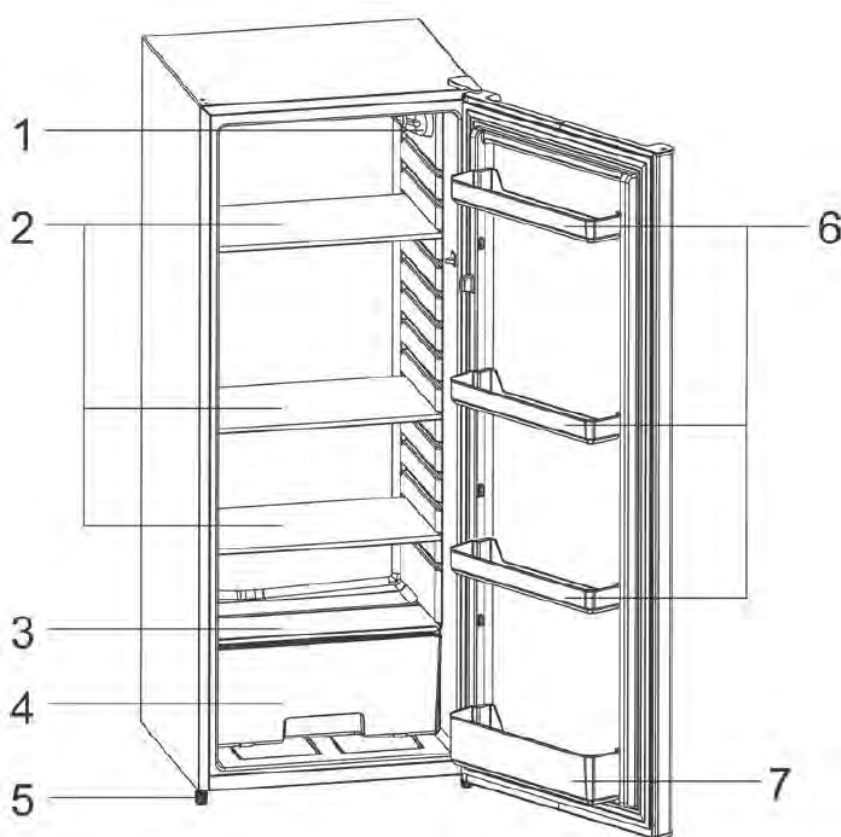
## CONEXIÓN ELÉCTRICA

Antes de conectar el aparato a la Fuente de alimentación asegúrese que el voltaje y la frecuencia indicados corresponden a los de la red eléctrica.

Una desviación de -6% a +6% es admisible con respecto a la tensión nominal. Para el funcionamiento con otro voltaje se requiere un transformador con alimentación adecuada.

Conecte siempre el aparato a un Sistema de puesta a tierra eficiente. Coloque el aparato en situación vertical durante al menos dos horas antes de encenderlo.

## NOMBRE DE LAS PARTES



- (1) Caja de control de temperatura
- (2) Banderas
- (3) Cubierta cajón Verduras

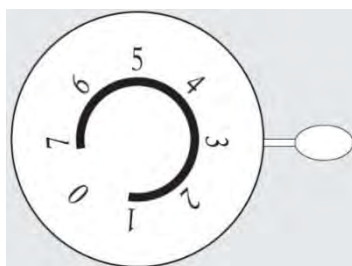
- (4) Cajón Verduras
- (5) Pie ajustable
- (6) Bandeja puerta
- (7) Bandeja botellera

## COMO PONER EN FUNCIONAMIENTO

1. Limpie la nevera a fondo. Limpie el exterior con un paño suave y seco, el interior con un paño limpio y húmedo.
2. Inserte el cable de alimentación en el enchufe.
3. Gire el dial del termostato a "7". Cierre la puerta y deje funcionar el refrigerador durante 15-20 minutos.

## CONTROL DE TEMPERATURA

Para controlar la temperatura interna, ajuste el dial del termostato. "1" es el ajuste más cálido. "7" es el más frío. El dial se puede establecer cualquier lugar en la escala. No tiene que ser configurado exactamente en un número.



Nota: espere 3-5 minutos antes de reiniciar si desenchufa la nevera.

Es posible que la unidad no funcione correctamente si se reinicia demasiado rápido

## REEMPLAZO DE LA BOMBILLA

1. Apague el refrigerador y saque el cable de alimentación de la toma de pared. Espere unos minutos hasta que la bombilla se enfríe.
2. Retire el protector de la lámpara quitando un tornillo que fija el protector.
3. Desenrosque la bombilla vieja y reemplace una nueva (máx. 10W)
4. Vuelva a instalar el protector de la lámpara y fíjelo con el tornillo que retiró anteriormente.

## CÓMO LIMPIAR

Limpiadores: nunca use limpiadores abrasivos, abrasivos, de uso intensivo o solventes en ninguna superficie.

Exterior: limpie con un paño húmedo y jabonoso, enjuague y seque. Para manchas difíciles y para encerado periódico, use cera de silicona.

Interior: lave los estantes y otras piezas desmontables con agua tibia jabonosa, enjuague y seque. Lave el interior con una solución de bicarbonato de sodio (3 cucharadas a 1 litro de agua) o agua tibia jabonosa, enjuague y seque.  
Sellos de puertas magnéticos: Lavar con agua tibia jabonosa.

El toque final: Reemplace todas las partes y regrese el dial del termostato a la configuración deseada

### **REEMPLAZO DEL CABLE DE ALIMENTACIÓN**

Si el cable de alimentación del refrigerador está dañado, haga que lo reemplace un agente de reparación cualificado.

### **QUÉ HACER ...**

Cuando el refrigerador no está en uso por un período prolongado:

- Retire el enchufe de la toma de corriente.
- Eliminar todo el contenido de la nevera.
- Seque el interior y deje la puerta abierta por unos días.

Cuando quieras mover la nevera:

- Asegurar todas las partes móviles y el contenido. (Envuélvalos por separado si es necesario)
- Transporte la nevera solo en posición vertical. En cualquier otra posición puede dañar el compresor.
- Antes de llamar al servicio, siga la lista de verificación a continuación.

Si la nevera parece demasiado caliente por dentro:

- Compruebe que la puerta no se haya abierto con demasiada frecuencia o por mucho tiempo. Compruebe que la puerta está convenientemente cerrada.
- Compruebe si el aparato está demasiado lleno.
- Compruebe el ajuste de la temperatura.
- Revise la puerta y las gomas
- Compruebe que la circulación interior no esté obstruida por tener demasiados productos almacenados. (La nevera está sobrecargada)
- ¿Guardó algo caliente, sin enfriarlo a temperatura ambiente?
- ¿Hay espacio suficiente alrededor de todos los lados y encima del refrigerador?

Si el frigorífico comienza a hacer ruidos inusuales:

- ¿Se está tambaleando? Vuelva a nivelarlo y verifique si ahora funciona normalmente. Revise si el aparato está en contacto con la pared u otro objeto.
- ¿Ha caído algún objeto detrás de la nevera? Si es así, elimínelos y verifique si la operación es ahora normal.
- ¿Hay recipientes dentro del refrigerador que vibran o resuenan? Si es así, reordénalas y verifica si la operación volvió a la normalidad.
- La puerta produce un ruido extraño al abrirla. Las gomas de la puerta están sucias. Limpie las gomas.
- Formación de hielo incrustado puede ser provocado por: la puerta no está adecuadamente cerrada (cierre convenientemente la puerta), la junta de la puerta está sucia o dañada (limpie o reemplace la goma).
- Ruido de “click” cuando el compresor se active o desactive.
- Chasquido: puede ser generado por la expansión y la contracción secuencial de los componentes del sistema de refrigeración. Es causada por la variación de la temperatura antes y después del compresor se activa o desactiva.

Condensación de agua dentro y fuera del aparato: Se puede generar dentro o fuera del aparato por la alta humedad o temperaturas ambientes muy cálidas.

## **CAMBIAR EL SENTIDO DE LA PUERTA**

**PRECAUCIÓN:** Para evitar lesiones personales a usted y / o propiedad, recomendamos que alguien lo ayude durante el proceso de reversión de la puerta.

1. Retire la cubierta de la bisagra superior;
2. Retire la bisagra superior quitando los dos tornillos;
3. Retire la puerta del refrigerador levantando la bisagra inferior;
4. Inclíne el gabinete hacia atrás para quitar la bisagra inferior y las dos patas ajustables.
5. Vuelva a instalar la bisagra inferior en el lado opuesto, y también dos pies ajustables.
6. Vuelva a instalar la puerta del refrigerador en la bisagra inferior colocando el orificio de la bisagra del lado opuesto en el pasador de la bisagra ;
7. Retire el botón que cubre el orificio de la bisagra en el marco de la puerta superior de la puerta del refrigerador ;
8. Inserte el pasador de la bisagra superior en el orificio y luego fije la bisagra con tornillos.
9. Coloque la cubierta de la bisagra superior.

El proceso ya está completo.



## COMO DESECHAR EL MATERIAL DE EMBALAJE

El material de embalaje es reciclable.

Se recomienda el siguiente procedimiento:

- Desechar el papel y cartón en los contenedores correspondientes;
- Desechar plásticos en los recipientes correspondientes.
- Si no tiene contenedores de reciclaje en su área, puede llevarlo a los centros de recolección apropiados.

## RAEE.

- **ELIMINACIÓN:** No deseche este producto como basura sin clasificar. La recogida de dichos residuos por separado para un tratamiento especial es necesaria.

No deseche los aparatos eléctricos

Póngase en contacto con el gobierno local para obtener información sobre los sistemas de recolección disponibles.

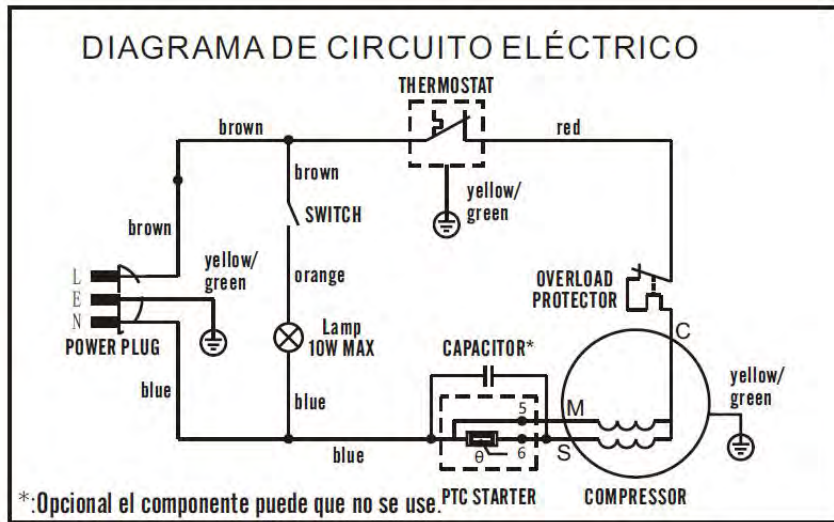
Si los aparatos eléctricos se desechan en vertederos o vertederos, las sustancias peligrosas pueden filtrarse en el agua subterránea y entrar en la cadena alimentaria, dañando su salud y bienestar.

- **ELIMINACIÓN DE RESIDUOS DE EQUIPOS ELÉCTRICOS Y ELECTRÓNICOS POR PARTE DE USUARIOS PARTICULARES EN LA UNIÓN EUROPEA.**



Según la directiva Europea 2012/19/UE sobre Residuos de Aparatos Eléctricos y Electrónicos (RAEE), los residuos AEE han de recogerse y tratarse por separado. Si en un futuro necesita desprenderse de este producto NO lo ponga en los residuos domésticos, envíelo a los puntos de recogidas de residuos existentes en su área. De igual manera debe extraer los residuos de pilas y/o acumuladores antes de la entrega del RAEE a través de los canales de recogida separada habilitados al efecto (distribuidores y/o instalaciones de las Entidades Locales).

## DIAGRAMA DE CIRCUITO



## INFORMACION TECNICA

Modelo	NVR-5202 NSD
Volumen bruto	245L
Capacidad de almacenamiento	240L
Clase climática	N, ST
Refrigerante	R600a
Cantidad	32g
Voltaje Nominal	220-240V~
Frecuencia Nominal	50Hz
Corriente nominal	1A
Capacidad de lámpara	10W MAX
Peso neto	41kg
Tipo Gas Refrigerante	Cyclopentane

## DECLARACIÓN DE CONFORMIDAD

**NEVIR, S.A.** declara bajo su responsabilidad que el aparato indicado cumple los requisitos de las siguientes directivas:

CE DIRECTIVES	
LVD	2014/35/EU 2014/35/UE UNE-EN 60335-2-24/A1:2019+A2:2019
EMC	2014/30/EU 2014/30/UE
ERP	2009/125/EC 2009/125/CE
ROHS	2011/65/EU 2011/65/UE

Descripciones del aparato: **NEVERA UNA PUERTA**  
Modelo NEVIR: **NVR-5202 NSD**

Importador: **NEVIR, S.A.**

Dirección del importador:

**NEVIR, S.A.**

C/ Canteros, 14

Parque Empresarial Puerta de Madrid

28830 San Fernando de Henares, Madrid

